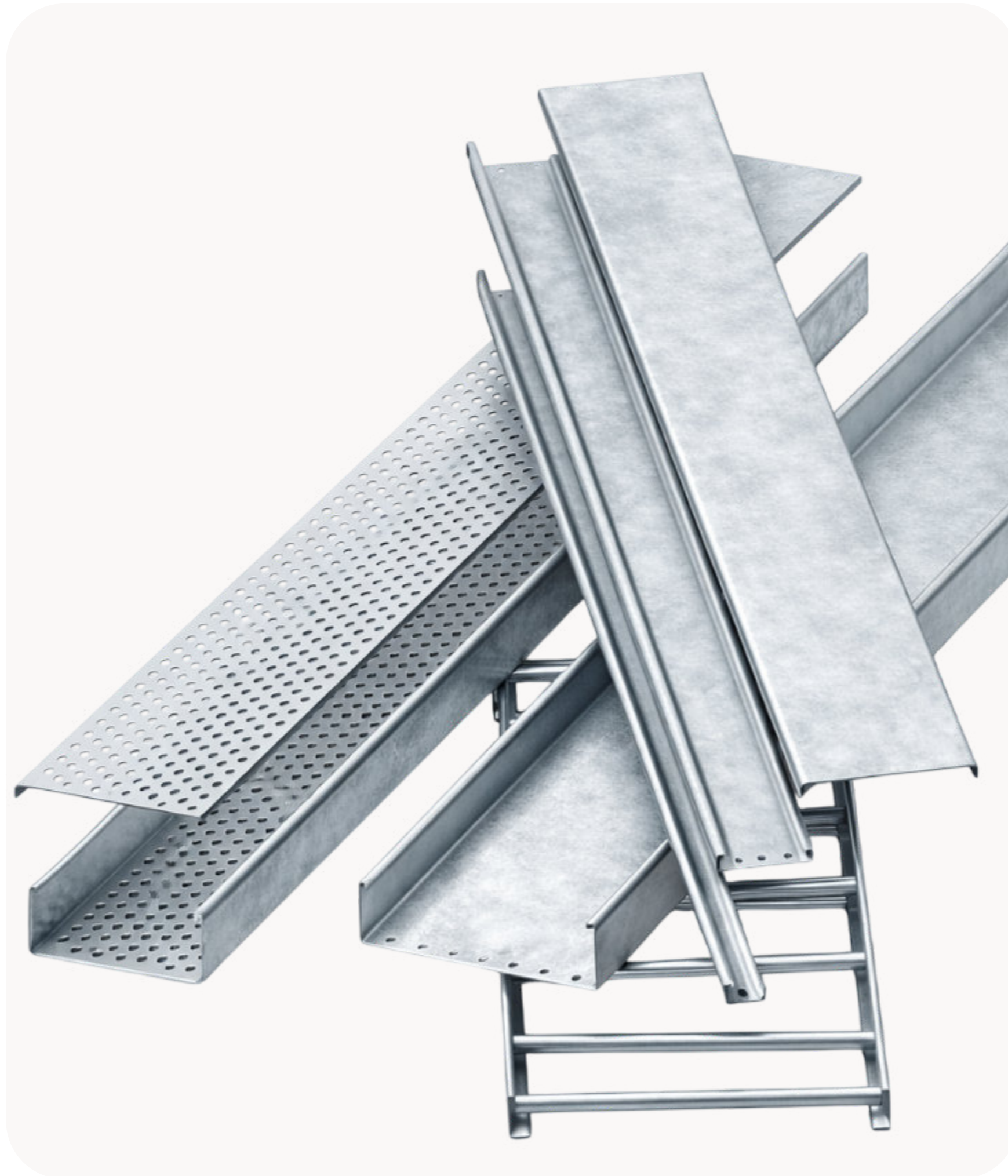


Cable Tray & Ladder Systems

Unified cable tray and ladder systems for industrial installations



Company Overview



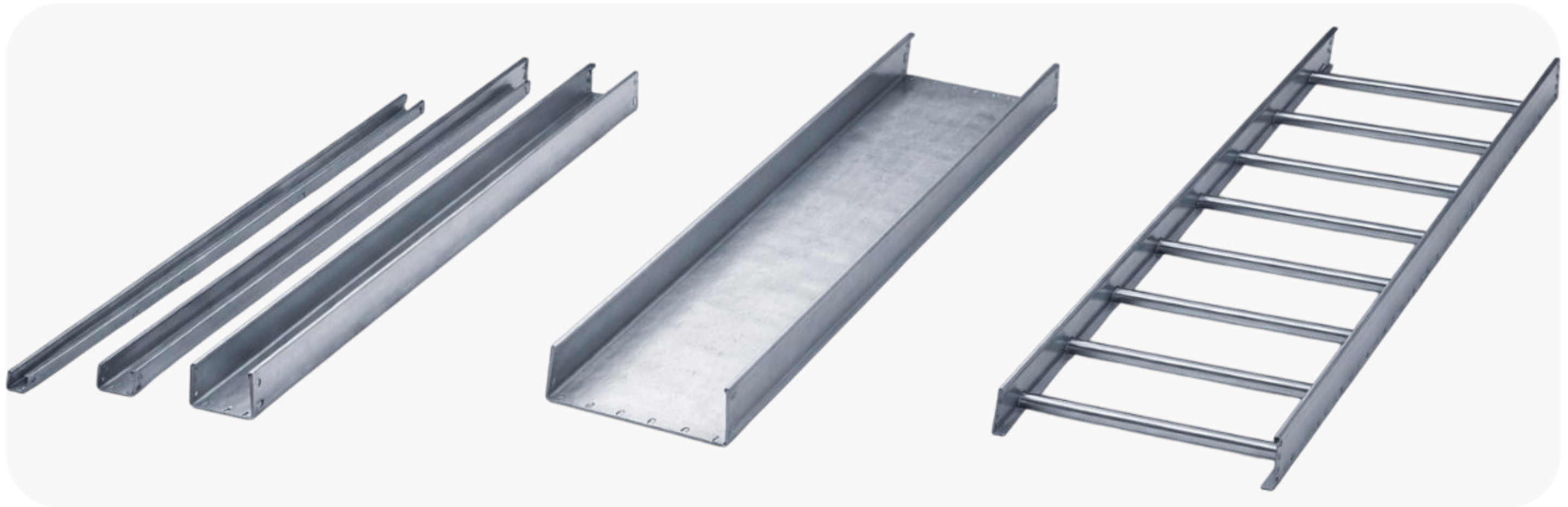
KOLUKS is a CNC manufacturing company focused on the design and production of cable tray and cable ladder systems for industrial use.

We design and produce compact, durable and installation-friendly systems, manufactured in accordance with European standards.

Our cable tray systems are based on unified geometries, allowing easy integration, reduced component variety and optimized installation.

Custom dimensions and configurations are available for large quantities and project-specific requirements.

Cable Trays



Light Duty - 0.8

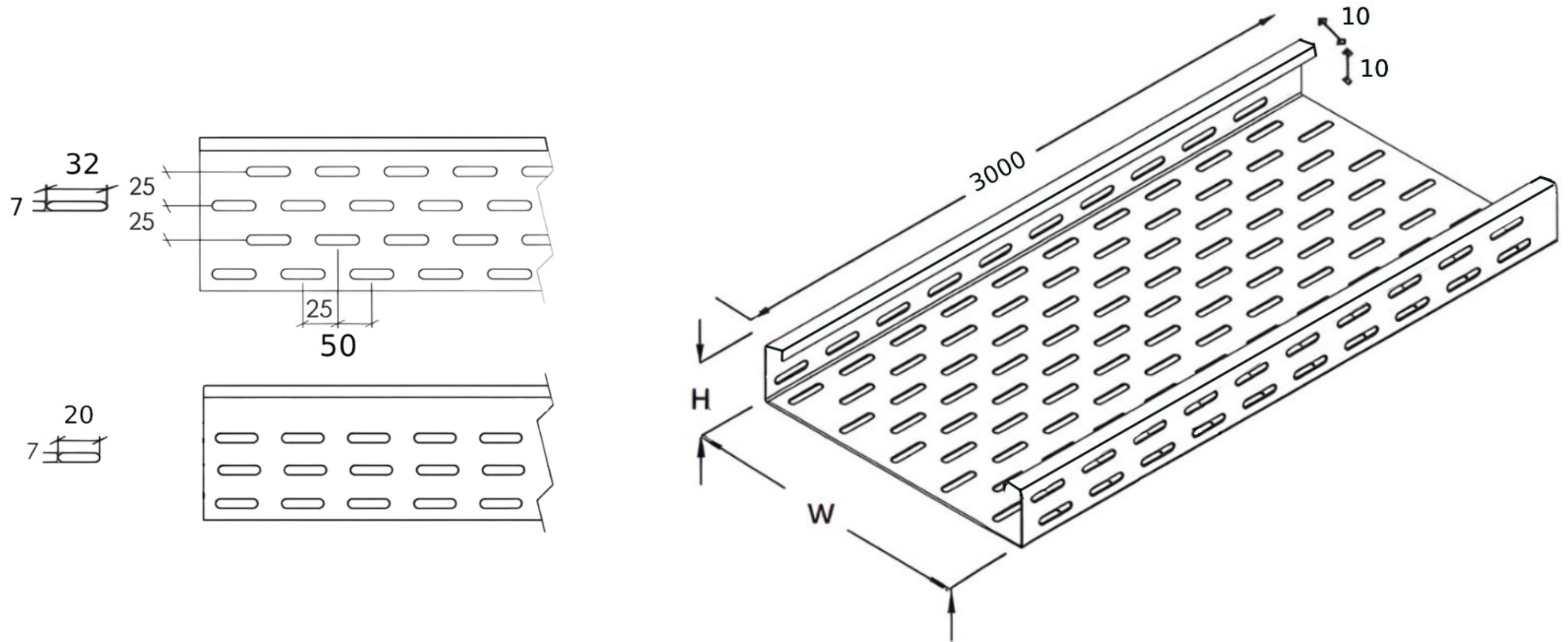
Medium Duty - 1
Heavy Duty - 1.5

Cable Ladder
Medium/Heavy

Cable trays are manufactured in three duty levels: **Light, Medium, and Heavy**. All trays share the same side geometry, ensuring full system compatibility. Standard length: 3000 mm.

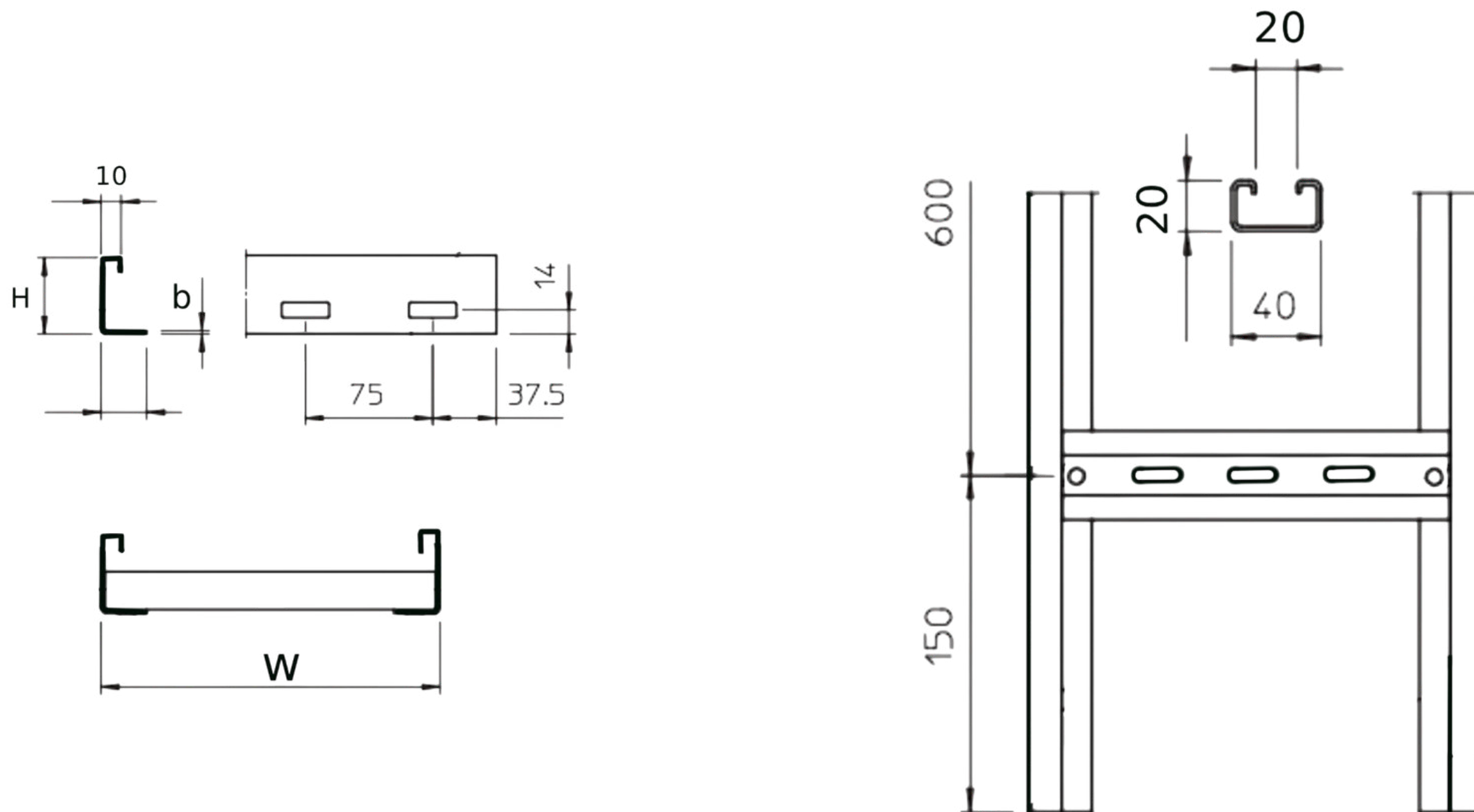
Cable ladders are designed for higher load capacities and long-span installations. Available in Medium and Heavy Duty configurations. Fully compatible with cable tray width and height standards.

Cable Trays



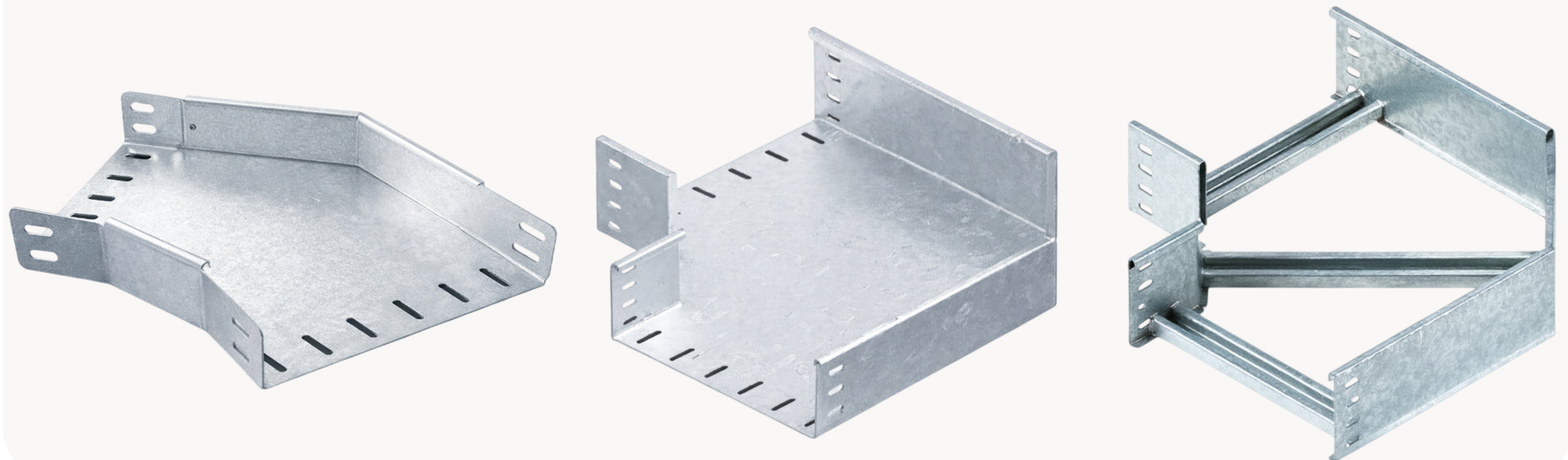
DUTY LEVEL	METAL THICKNESS	SIDE HEIGHTS (H)	WIDTH RANGE (W)
Light Duty	0.8 mm	35 / 60 / 85 mm	50 / 100 / 150 mm
Medium Duty	1 mm	60 / 85 / 110 mm	100 – 600 mm
Heavy Duty	1.5 mm	60 / 85 / 110 mm	100 – 600 mm

Cable Ladders



DUTY LEVEL	METAL THICKNESS (B)	HEIGHTS (H)	WIDTHS (W)
Medium Duty	1 mm	60 / 85 / 110 mm	100 – 600 mm
Heavy Duty	1.5 mm	60 / 85 / 110 mm	100 – 600 mm

Horizontal bends 90°/45°



Horizontal bends are used for directional changes in cable routing.

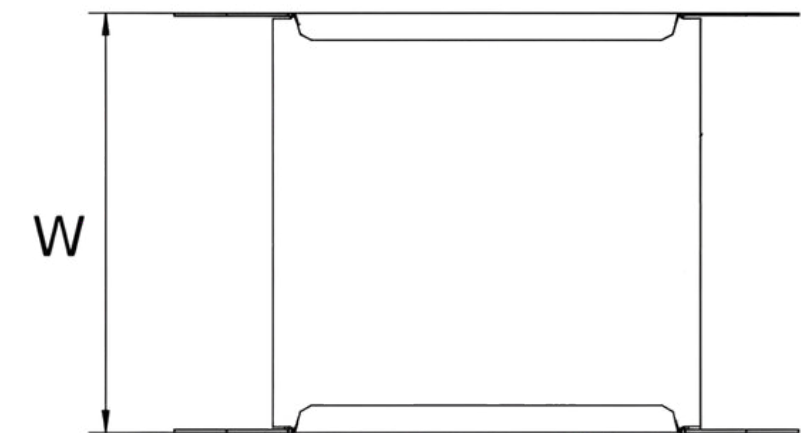
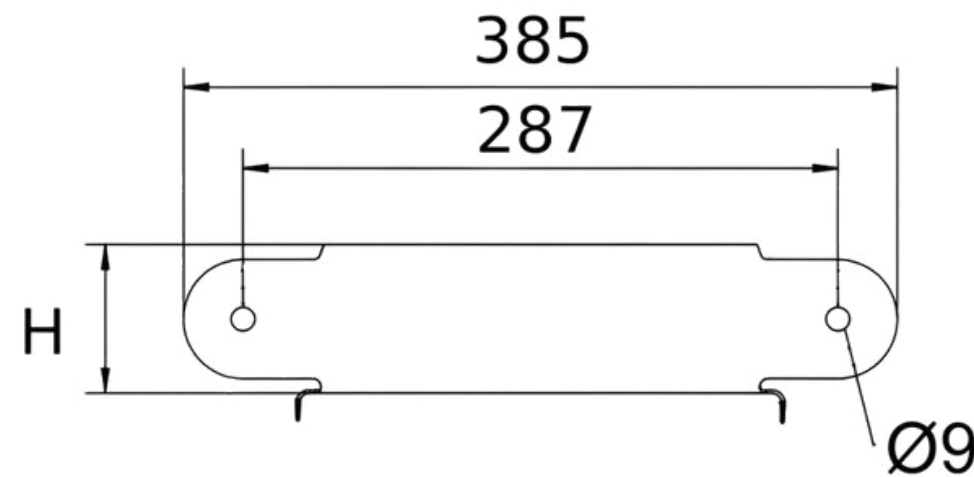
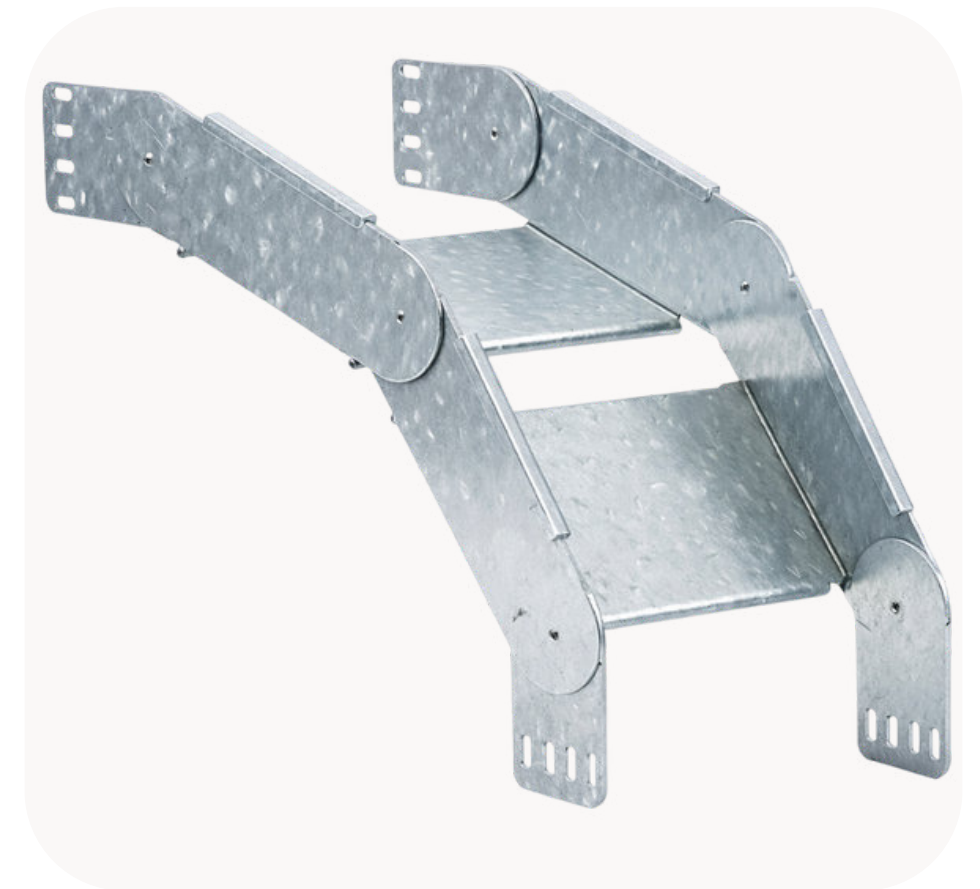
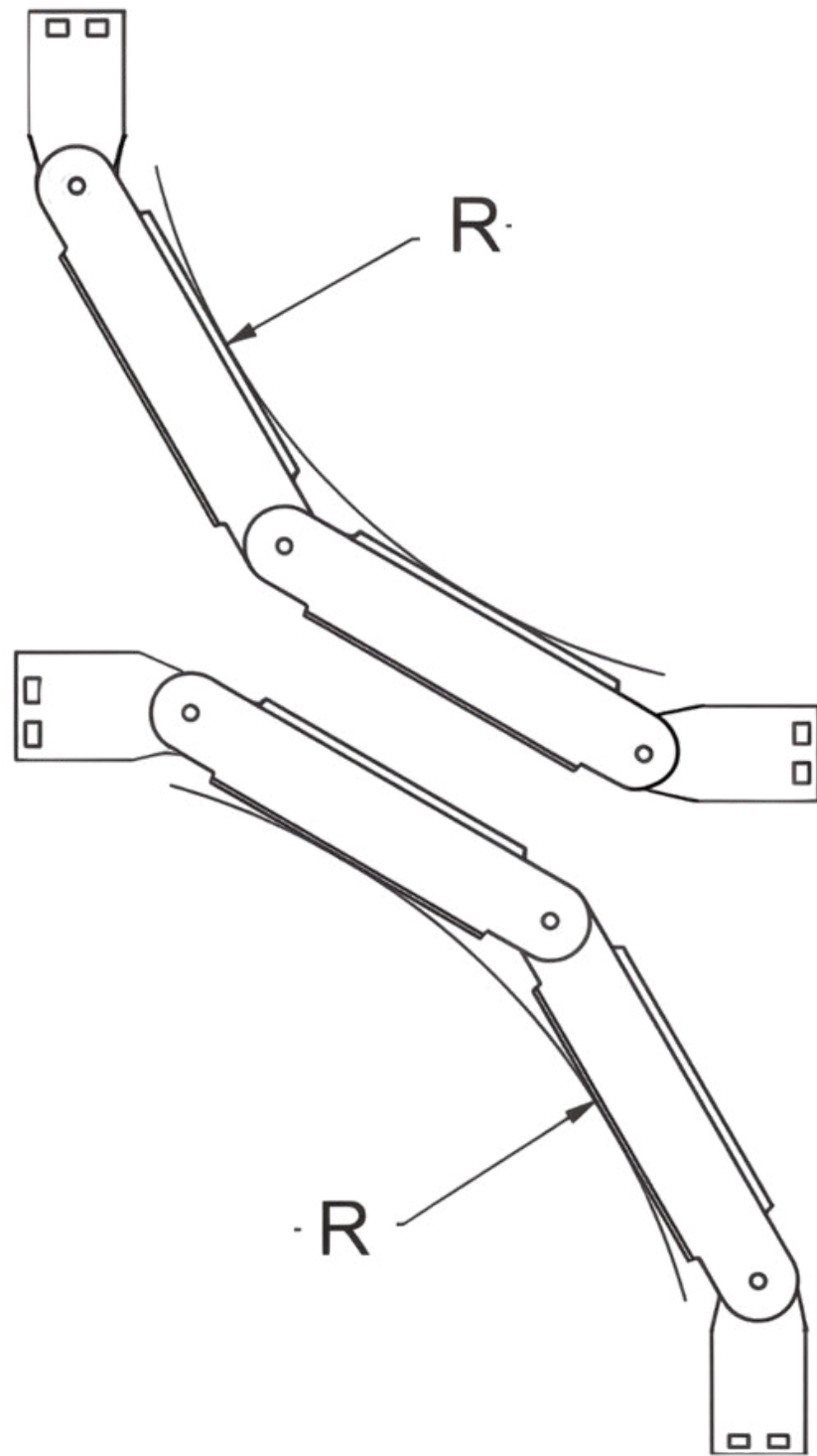
Available in 90° and 45° configurations.

Custom angles can be manufactured upon request.

Each horizontal bend is designed to be used together with a dedicated cover.

Vertical Bends – Multi-Purpose Transition Element

Designed for vertical routing and width transition applications.



The vertical bend element is designed with a unified geometry, allowing it to be used for upward and downward transitions, as well as reducer applications.

This eliminates the need for multiple specialized fittings, simplifying installation and reducing system complexity.

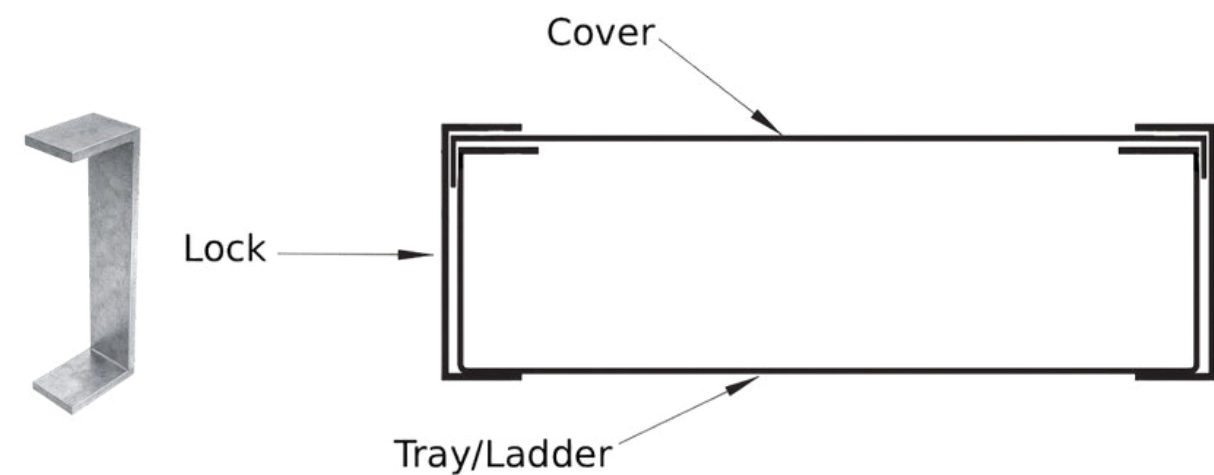
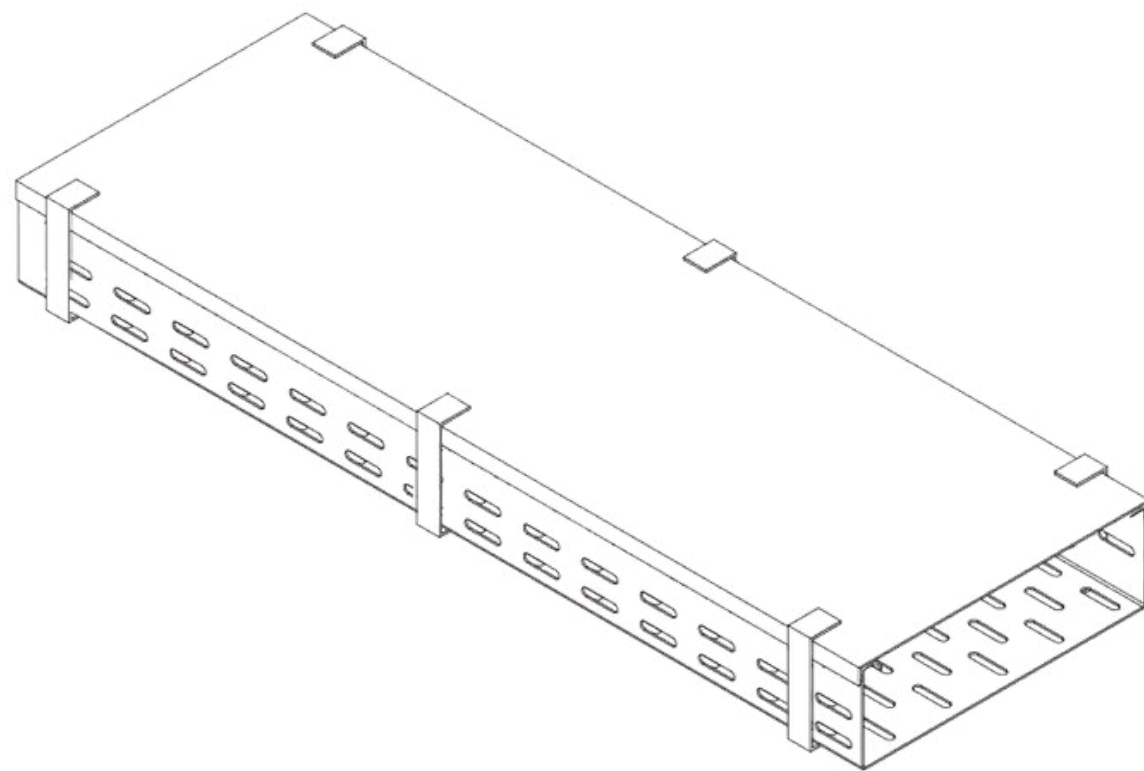
Cable Trays and Ladders Covers



Perforated



Standard



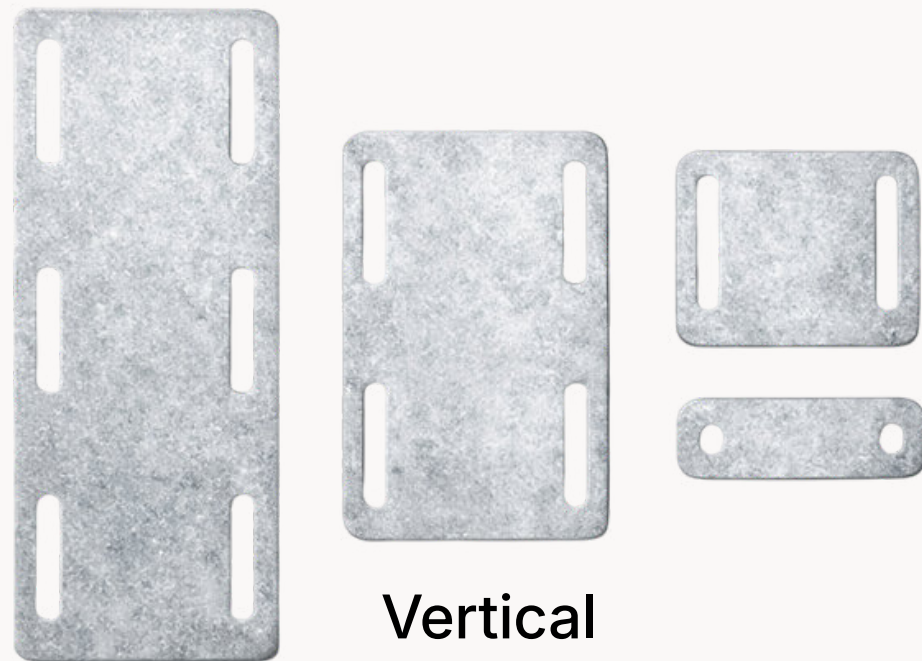
Covers are designed to provide cable protection and system safety. Compatible with all KOLUKS cable tray and ladder systems.

Available in:

- Standard (solid)
- Perforated
- Side height: 15 mm
- Widths: 35–600 mm

Accessories & Universal Connectors

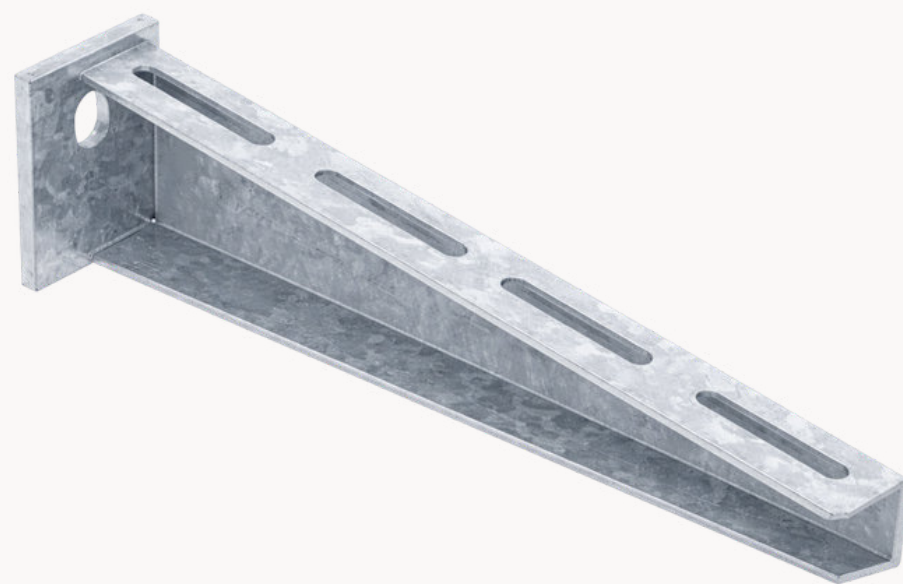
Universal accessories designed for fast installation and full system compatibility



Vertical
Connectors



Horizontal
Connectors



Lader Support



Cover Lock



Bend Element
Connectors

All accessories are designed for fast installation and system compatibility



Custom dimensions available for large quantity orders

- **Contact info:**
 - **Company name - KOLUKS DOOEL**
 - **Email - oliverg@koluks.com**
 - **Phone - +38970353800**
 - **Location - Prilep, North Macedonia**