

YOUR METAL PARTNER FOR THE ENTIRE FACILITY

Since 2002, KOLUKS has been providing metal solutions and installation equipment for telecommunication and cable installations.

These products are used in the construction, maintenance, and modernization of networks on poles and structures, as well as for mounting equipment on facilities where secure fastening, routing, suspension, or cable tensioning is required.

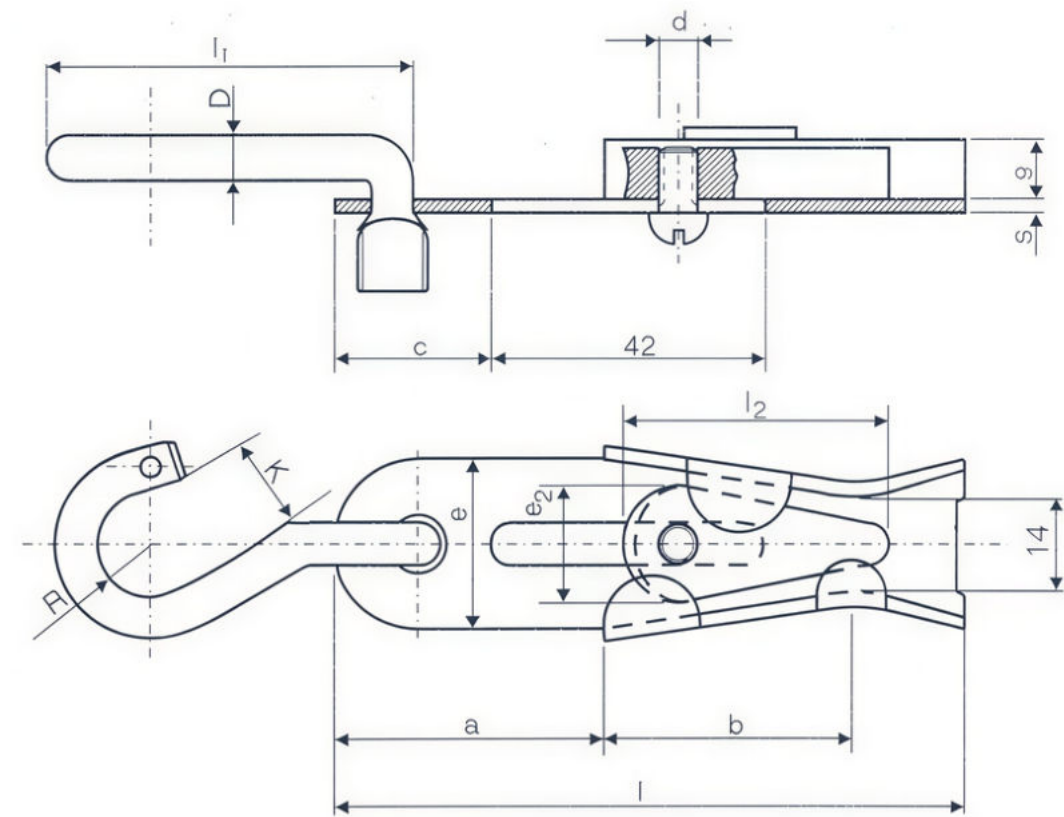
The range is intended for fieldwork and everyday use, with practical solutions that enable fast installation and stability in real operating conditions. The products are widely used by telecommunication operators, contractors and installation teams, service companies, energy systems, and infrastructure projects where reliable equipment and consistent quality are essential.

This catalog presents the most commonly used elements and types, organized by application for easier selection and review.

WHAT WE OFFER

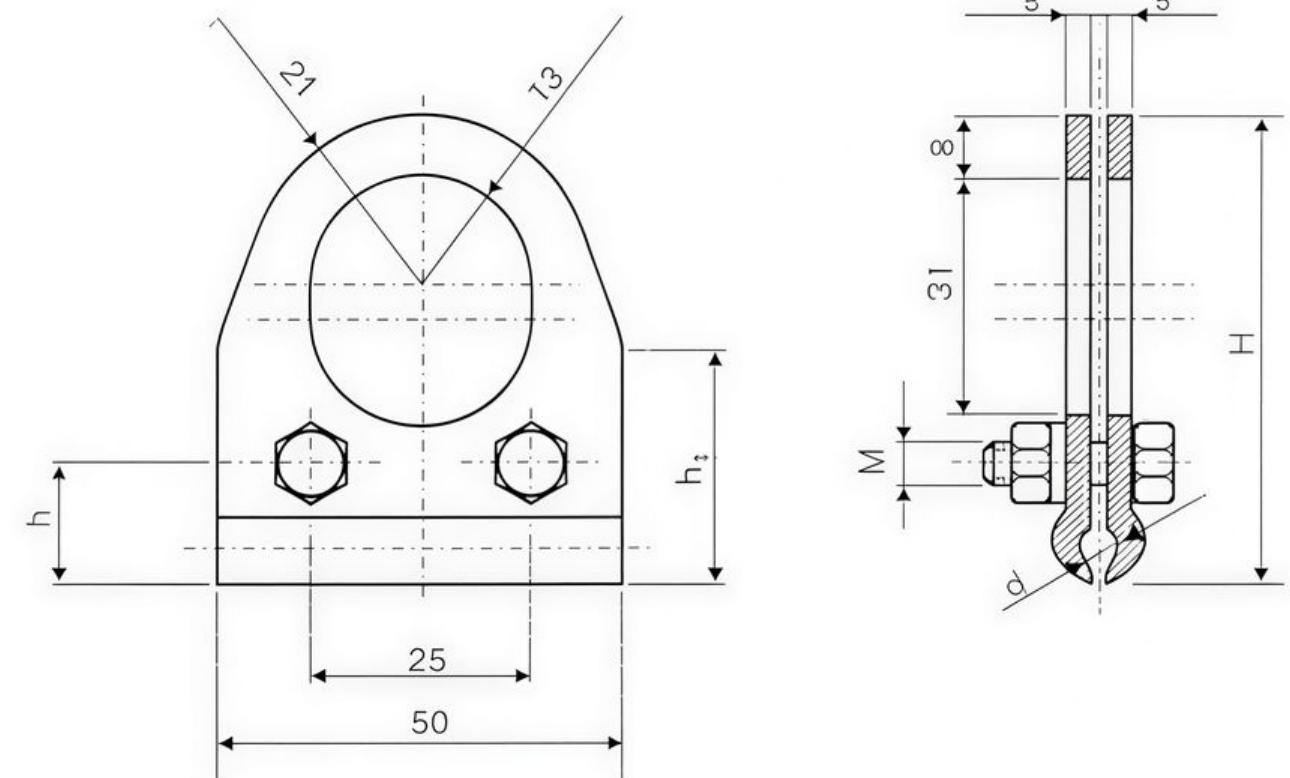
- **TC-S Clamps and cable grips (fixing, suspension, tensioning)**
- **TC-N Brackets and supports (wall, pole, structure)**
- **TC-P Bands and pole clamps (pole fastening)**
- **TC-H Hardware (joining and tensioning)**
- **TC-D Spacers (route positioning)**
- **TC-O Cabinets (protection and organization)**
- **TC-X Accessories (safety and equipment)**

TC-S01 CABLE TENSION CLAMP 1/300 AND 1/800



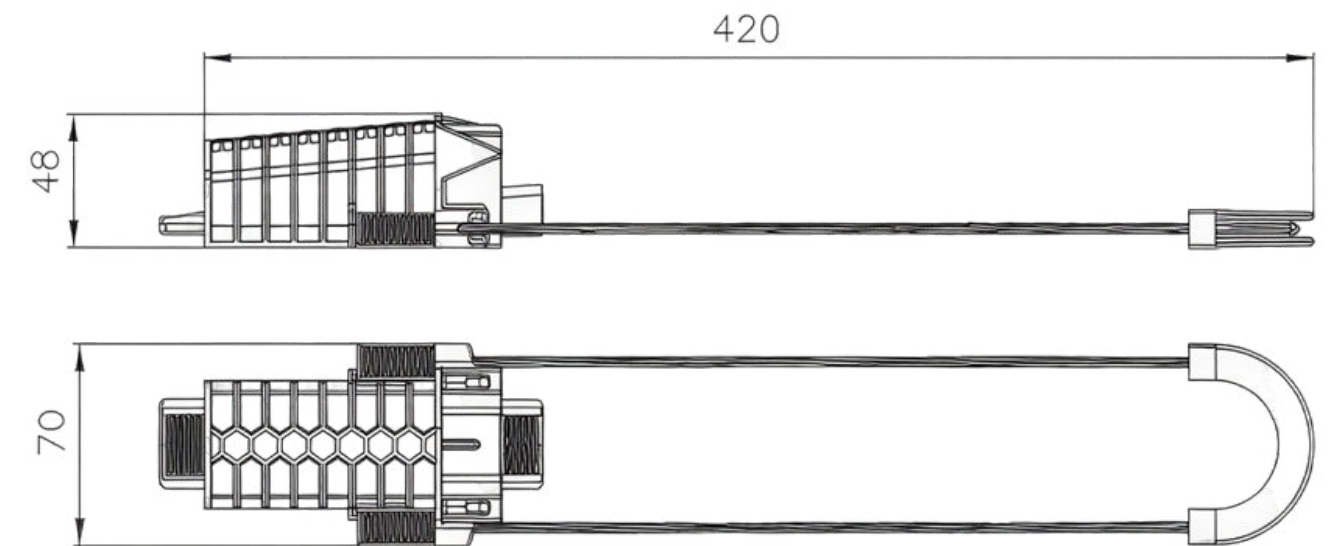
End tension clamp PSK-1 (1/300 and 1/800), made of galvanized steel, for secure tension anchoring of overhead telephone lines.
Manufactured according to PTT standard No. 021-10229/91.

TC-S02 PASS-THROUGH TENSION CLAMP PSK-2



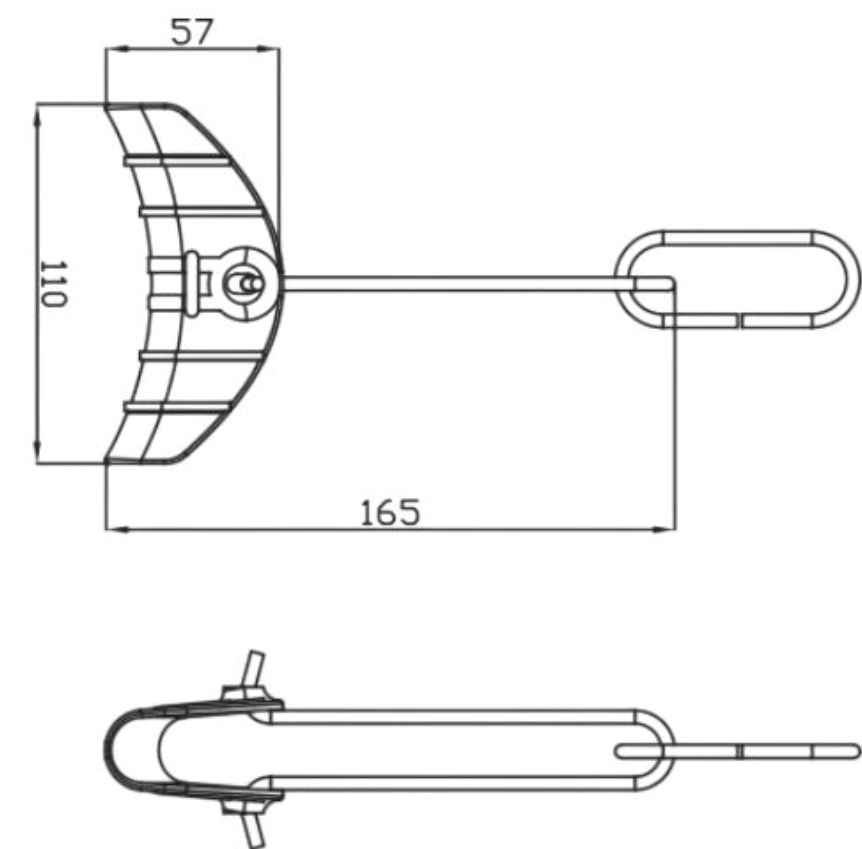
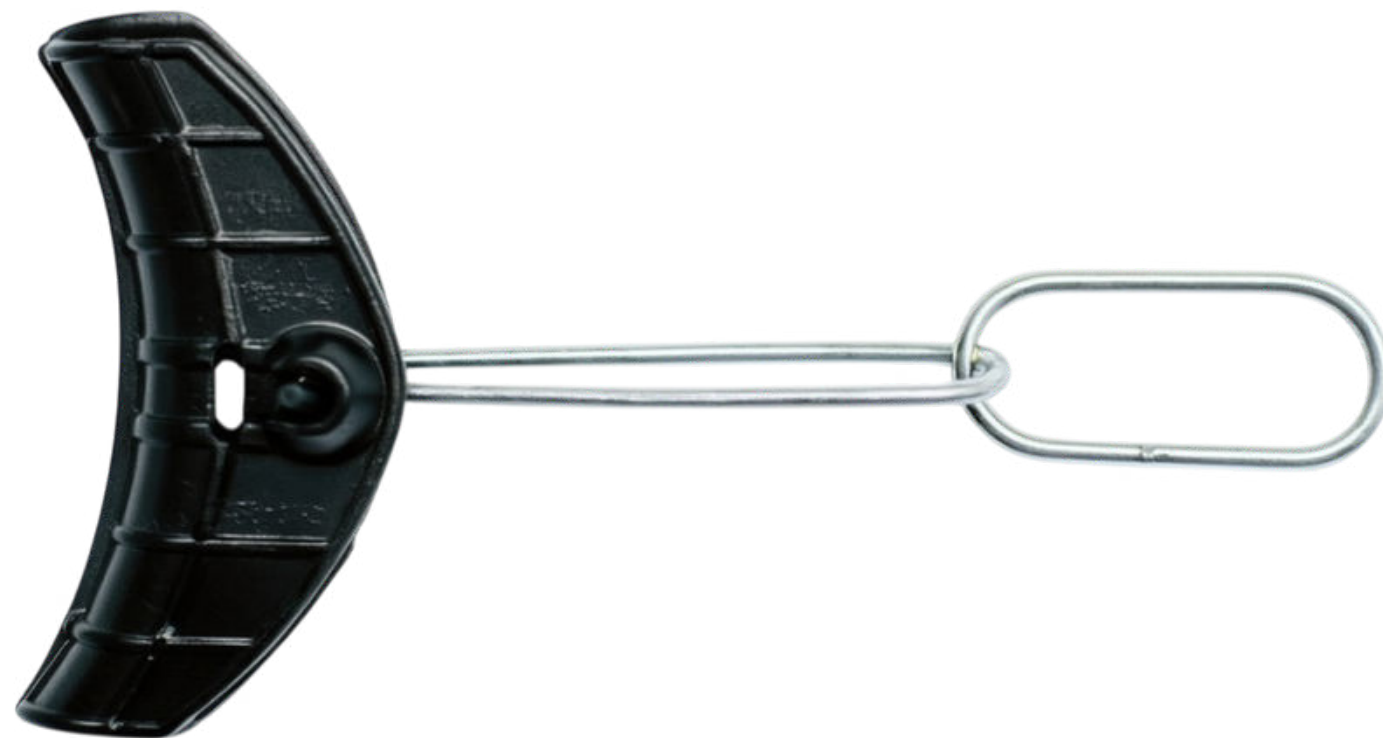
Pass-through clamp PSK-2 (2/300 and 2/800), made of galvanized steel, for load-bearing support and stable routing of overhead telephone lines.
Manufactured according to PTT standard No. 021-10229/91

TC-S03 TENSION CLAMP 525 R

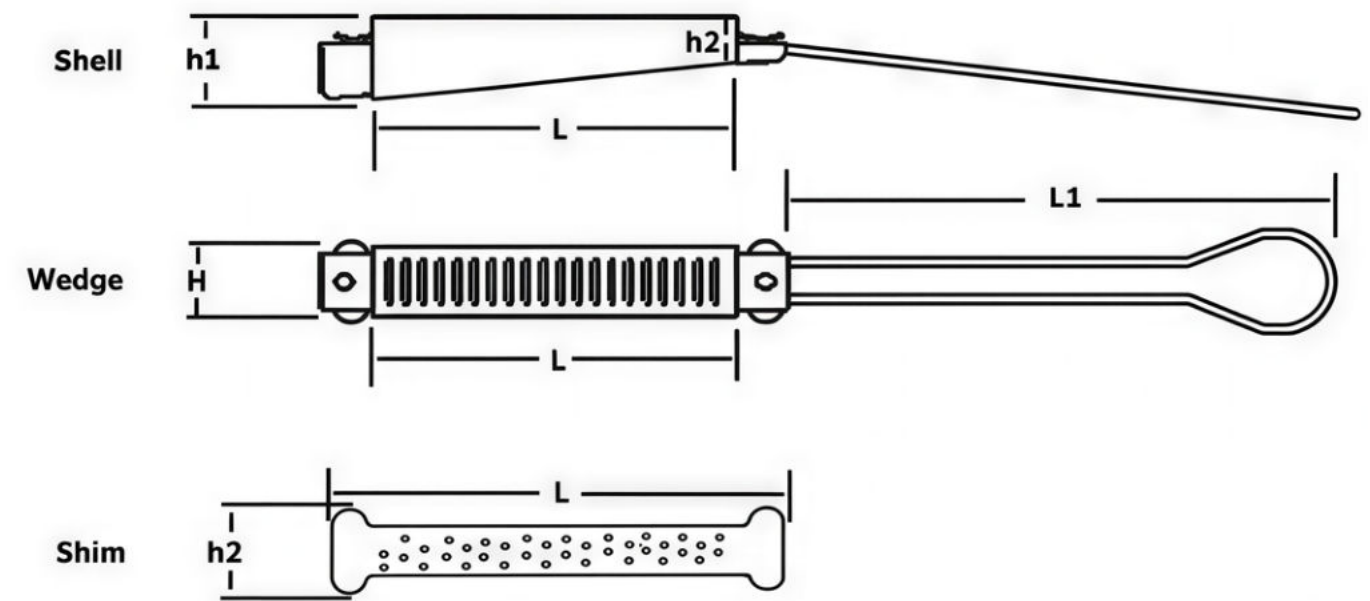


DN 525 anchor clamp for ADSS and telecommunication cables $\varnothing 5-25$ mm, with wedge system (1 wedge, optional 2) and minimum breaking load of 4.5 kN, designed for quick installation without additional tools.

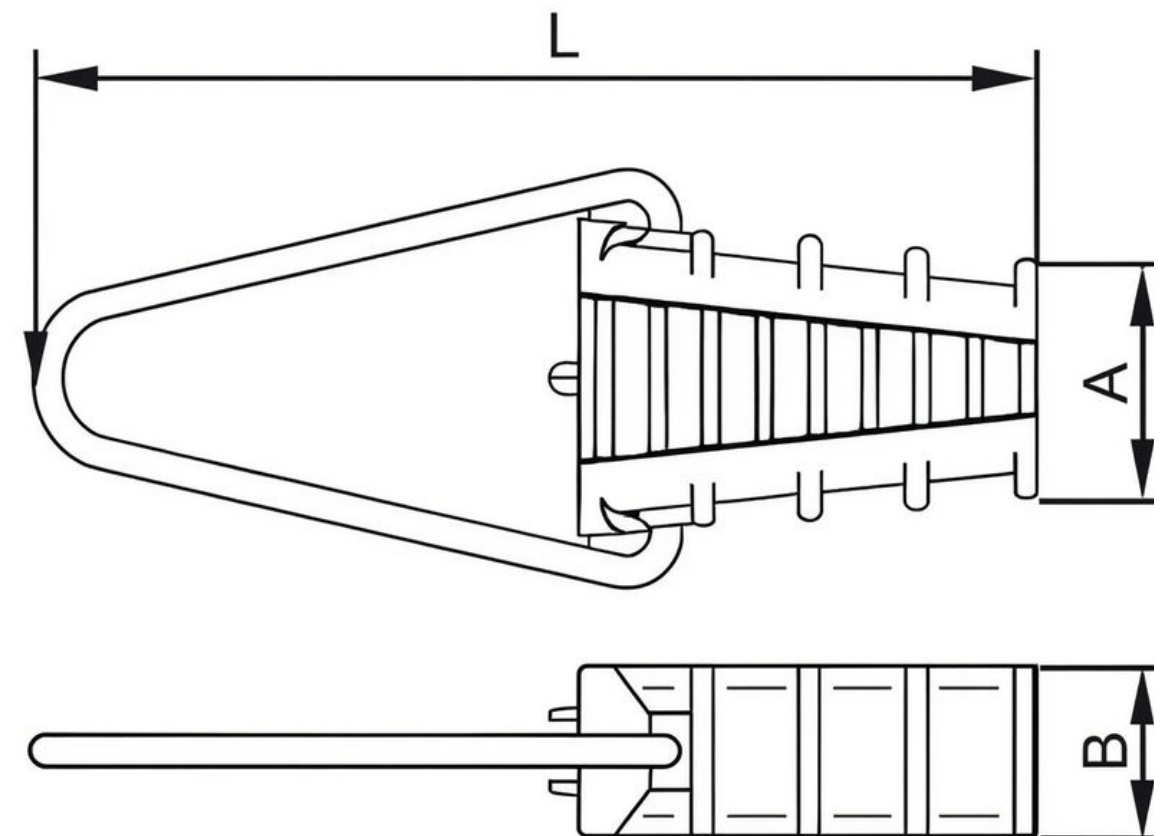
TC-S04 PS 300 SUSPENSION ANGLE CLAMP



PS 300 suspension angle clamp for cables $\varnothing 5-22$ mm, intended for supporting cables and changing route direction, UV-resistant and designed without detachable parts, with a minimum breaking load of 3 kN.

TC-S05**FTTH DROP CABLE CLAMP**

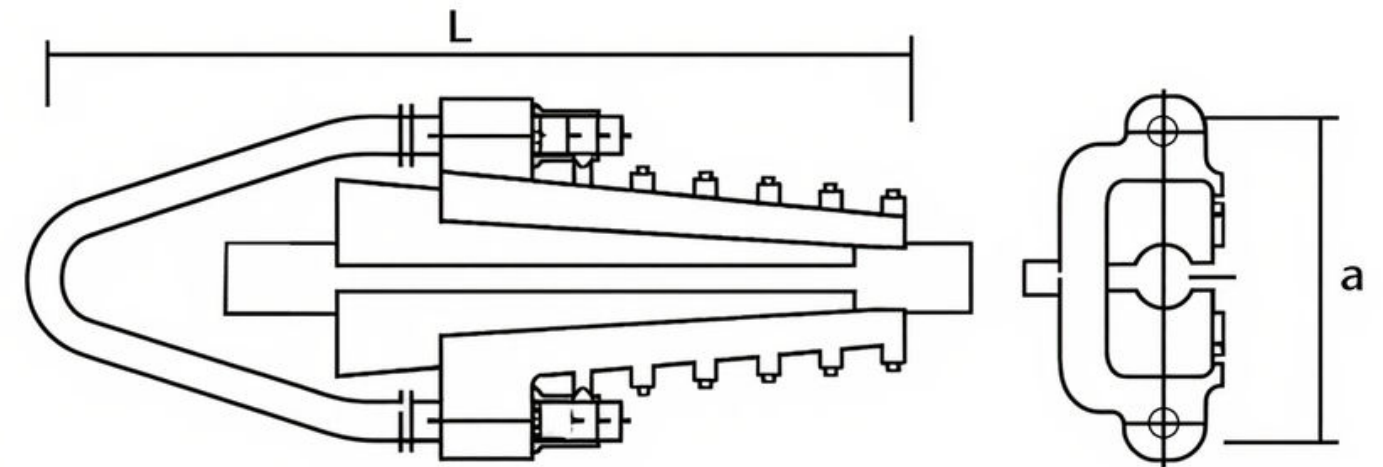
FTTH drop cable clamp with wedge system (shell + shim + wedge) and wire bail, designed for quick anchoring and routing of drop cable, with high corrosion resistance.

TC-S06**CABLE TENSION CLAMP 2x16-25 mm² AND 4x16-25 mm²**

End tension clamp (service anchoring) PA 25 for service connections 2x/4x (10–25 mm² class), with serrated grooves against slipping, UV-resistant, and with a minimum breaking load of 2 kN (NF C 33-042 / EN 50483-2).

TC-S07

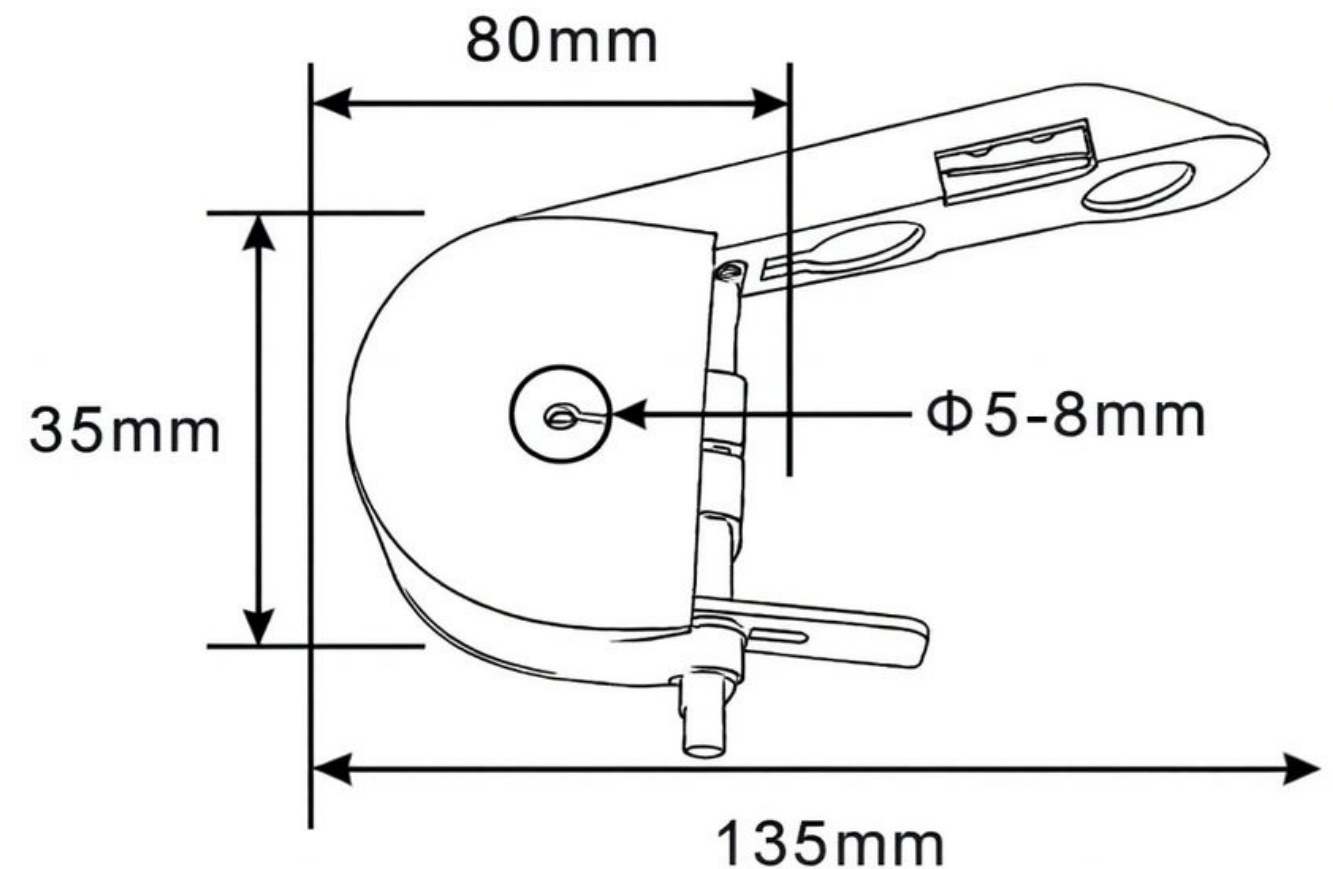
ALUMINUM CABLE TENSION CLAMP PA1500



Aluminum PA 1500 tension clamp for LV ABC with insulated messenger conductor, with self-adjusting wedges that do not damage the insulation, 45°/90° deviation angle, and minimum breaking load of 15 kN (NF C 33-041 / EN 50483-3).

TC-S08

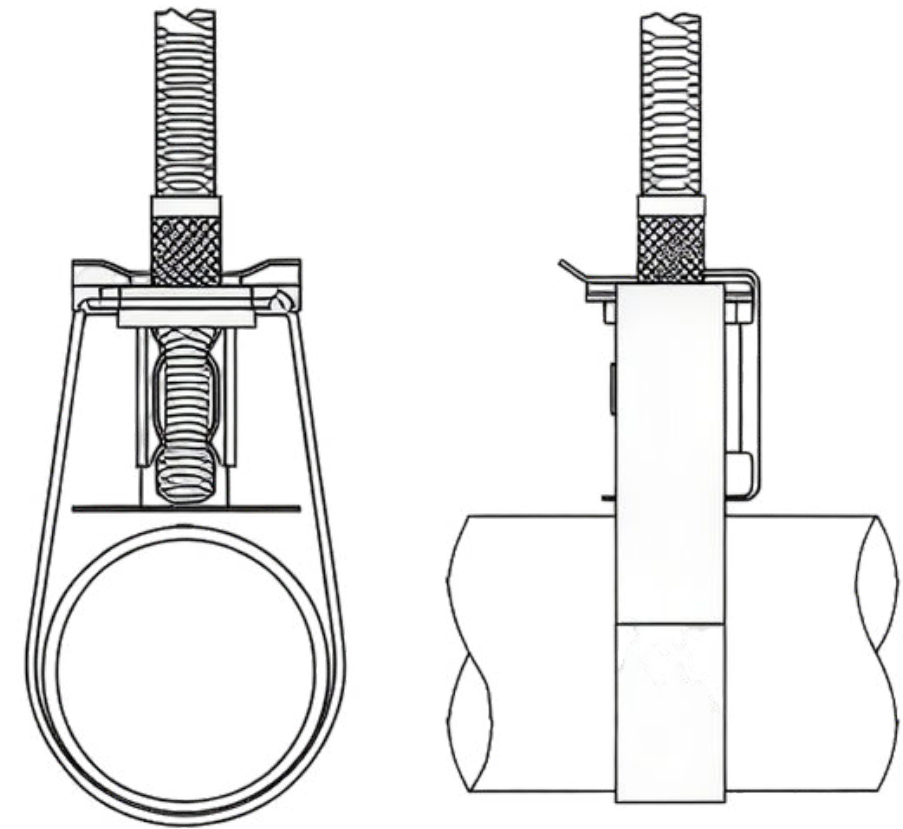
SUSPENSION CLAMP FOR CABLE



Compact suspension clamp for quick fastening and routing of cable along the route, with secure holding and easy field installation.

TC-S09

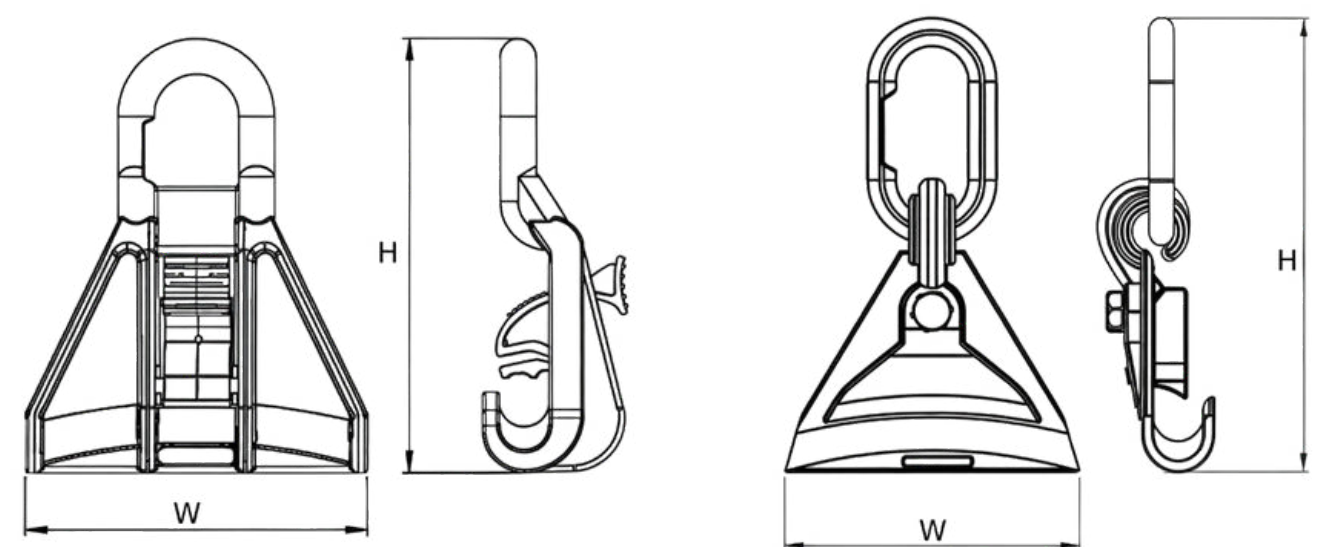
CABLE CLAMP SET



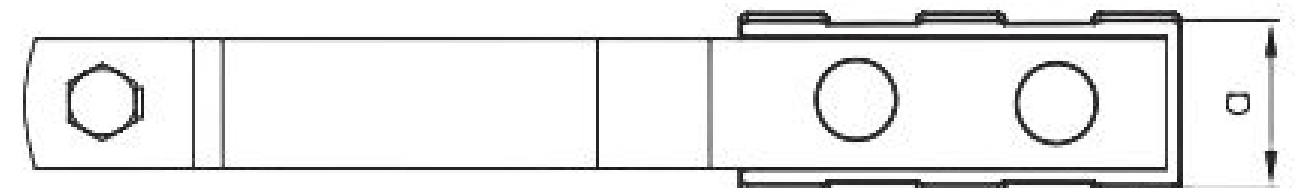
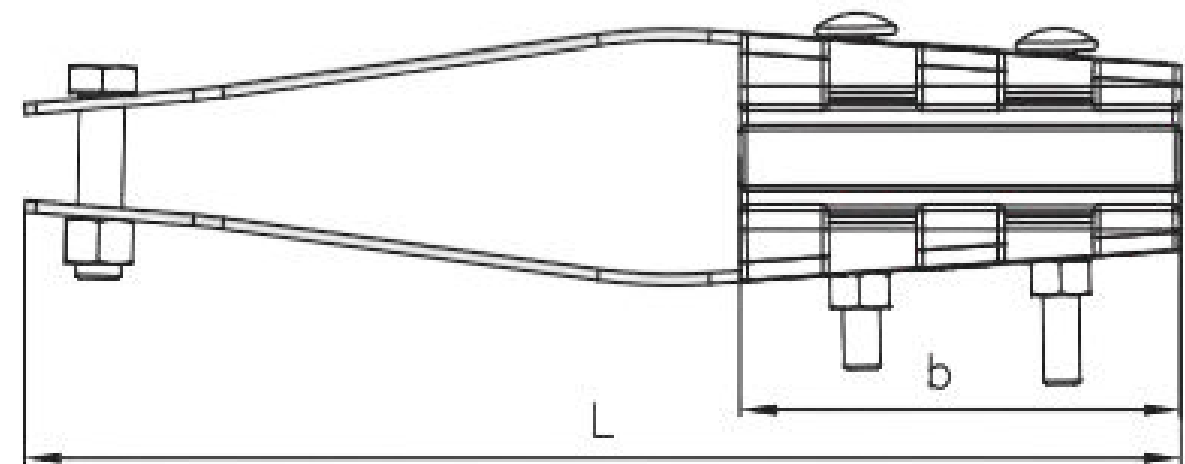
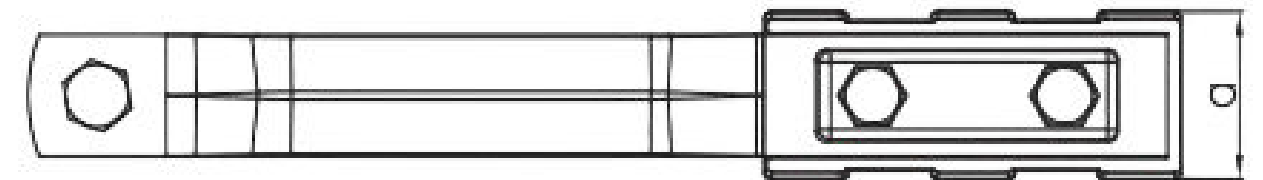
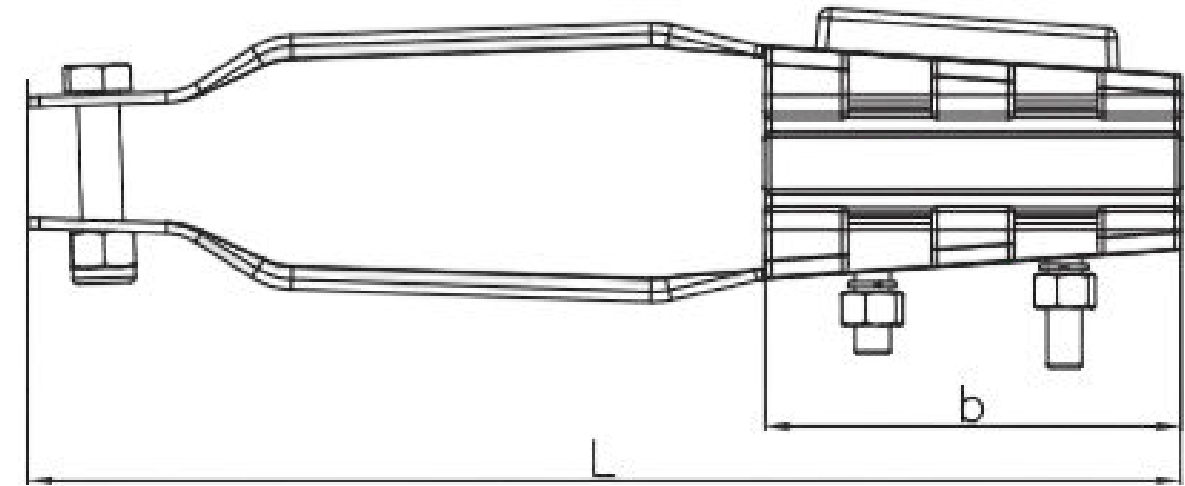
Set of components for cable fixation during installation, designed for quick mounting and stable holding in field conditions.

TC-S10

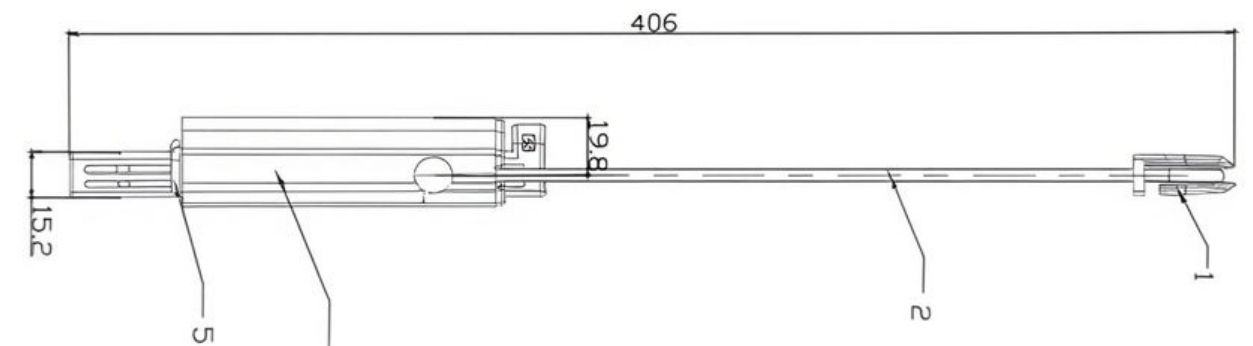
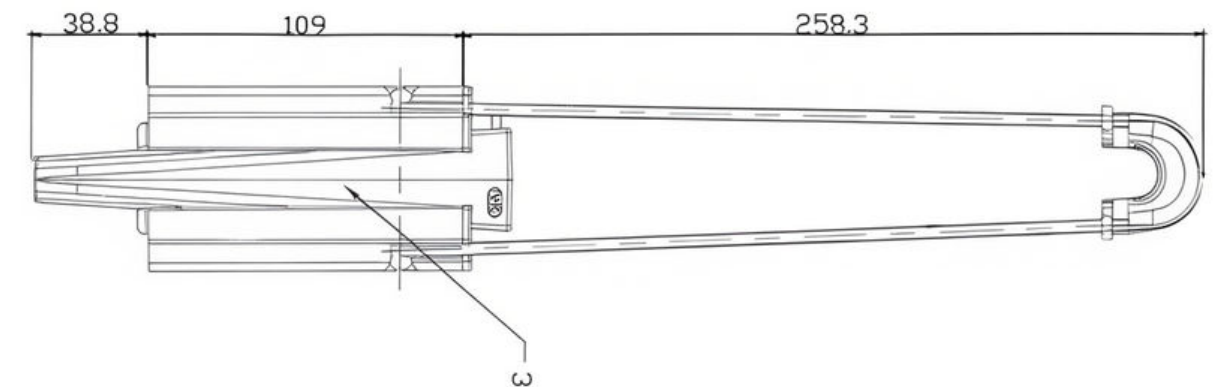
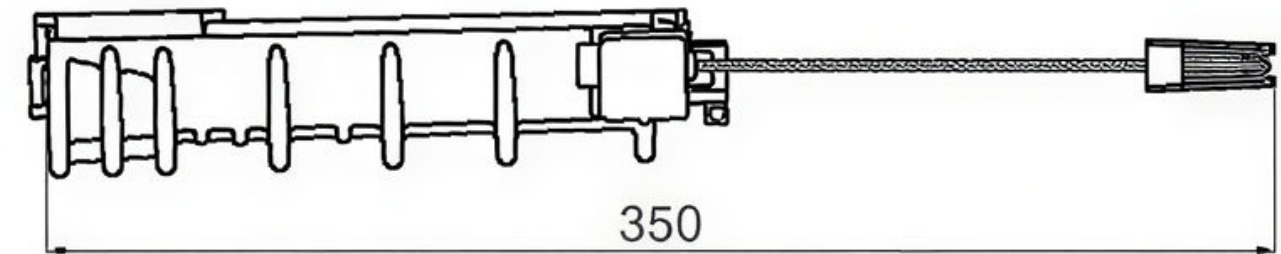
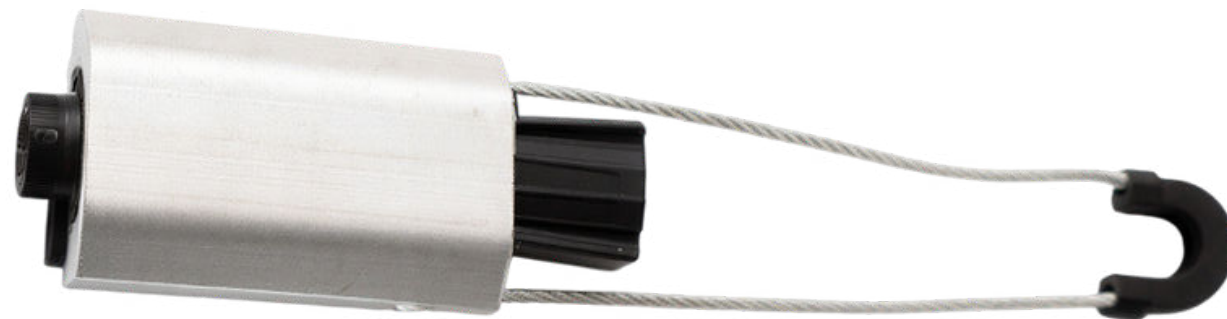
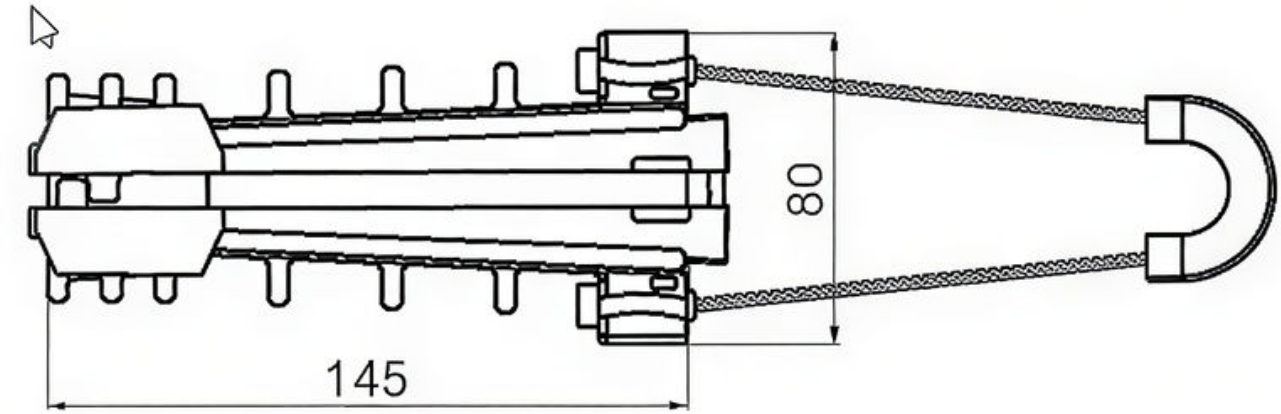
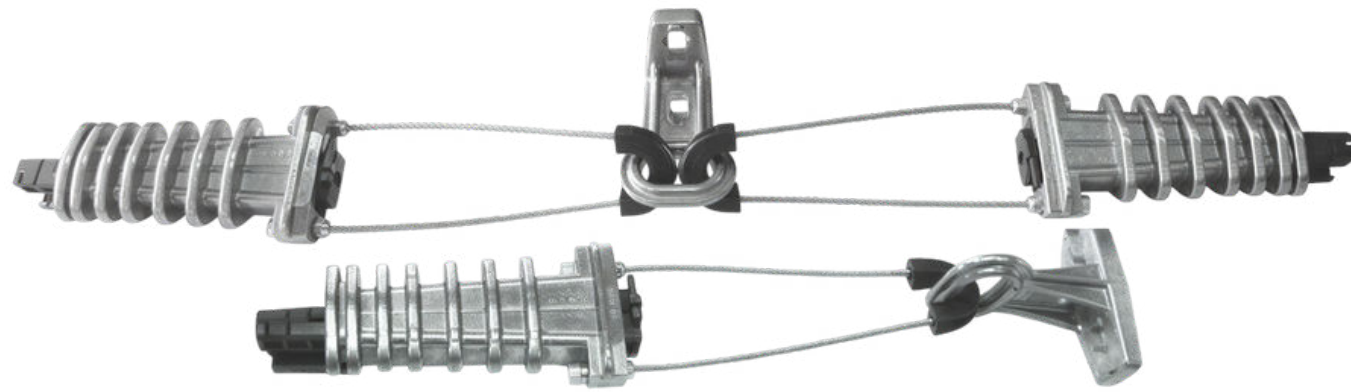
SUSPENSION CLAMPS



Suspension clamps for supporting and routing cable with stable fastening, without significant damage to the sheath, available in variants according to the type of attachment.

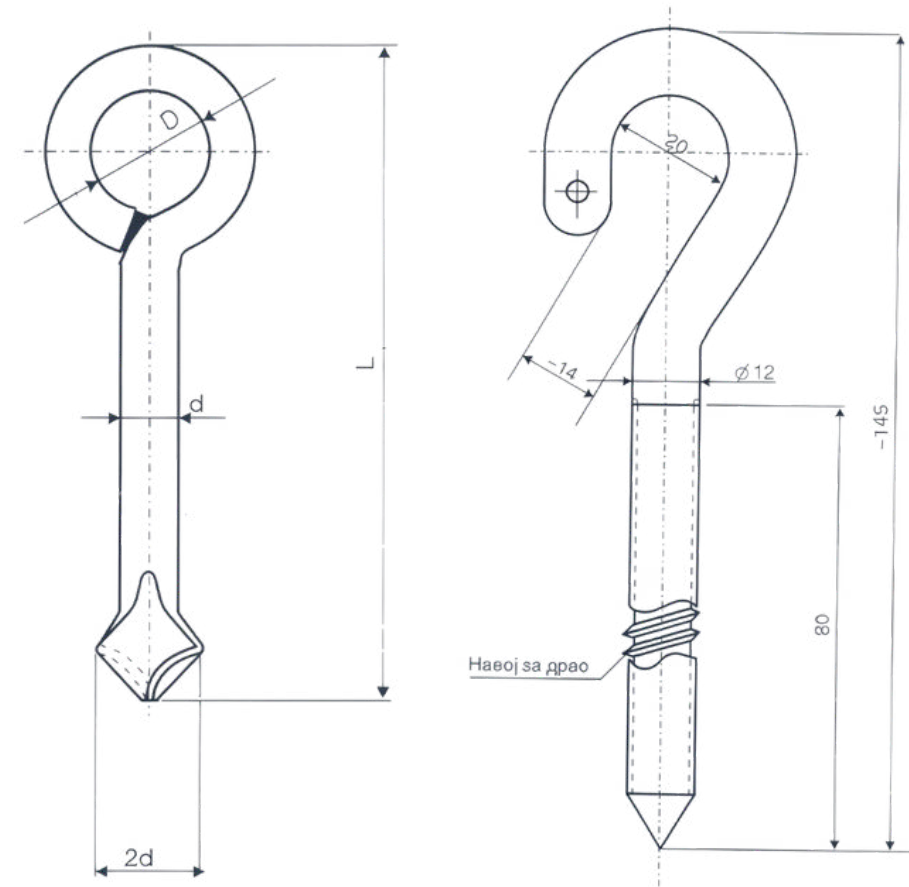


PA tension clamp for secure anchoring and tensioning of conductor, available in variants according to the fastening method and installation position (PA1/PA2), with self-adjusting wedges and quick installation (EN 50483-2 / NF C 33-042).



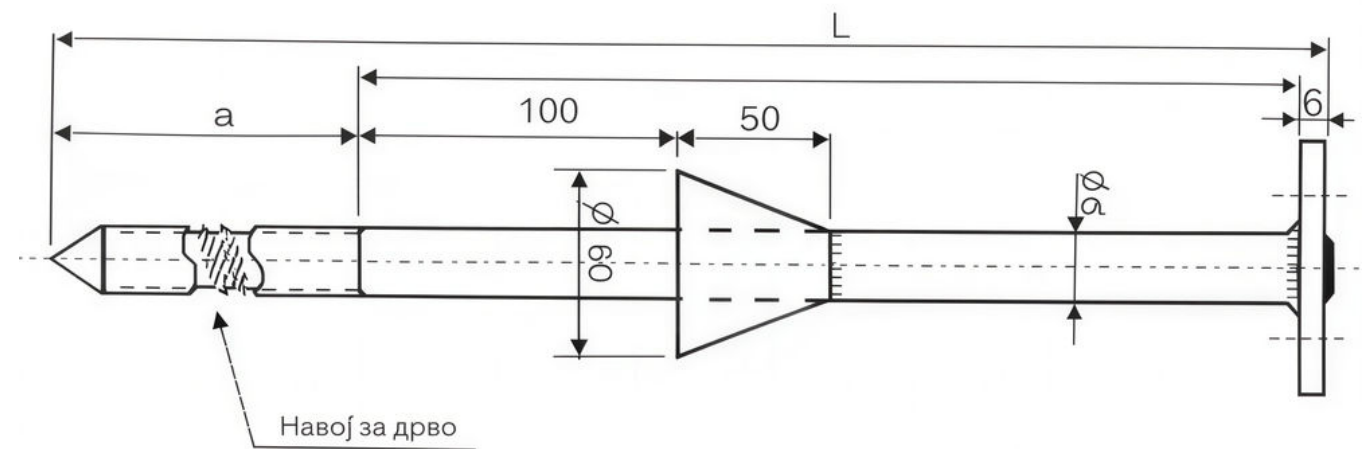
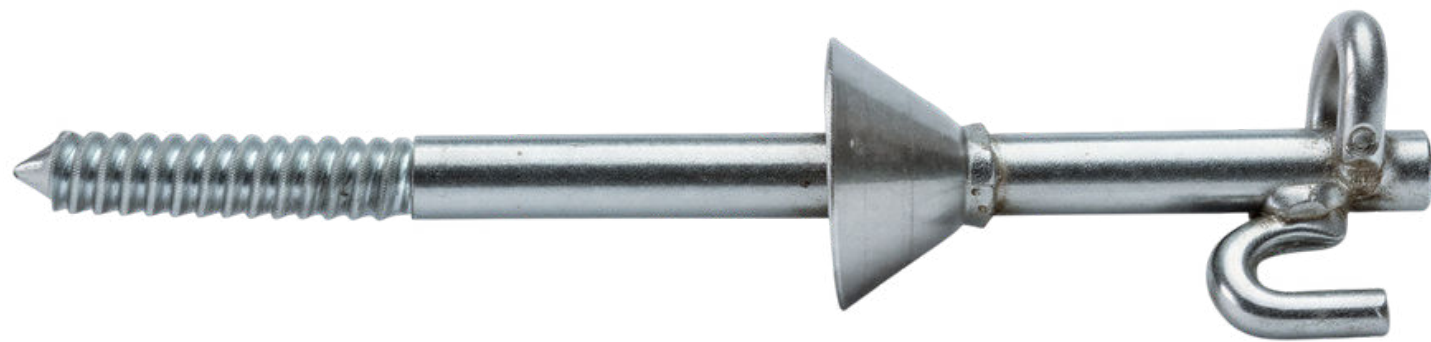
Cable tensioning set that combines a tension clamp and a support element (hook/bracket) for secure anchoring at end and angle points, with quick field installation.

TC-N01 BRACKET WITH OPEN HOOK FOR WOODEN / CONCRETE



Bracket with open hook for wooden or concrete pole, intended for quick hanging of clamps and fittings, and for stable cable routing along the line.

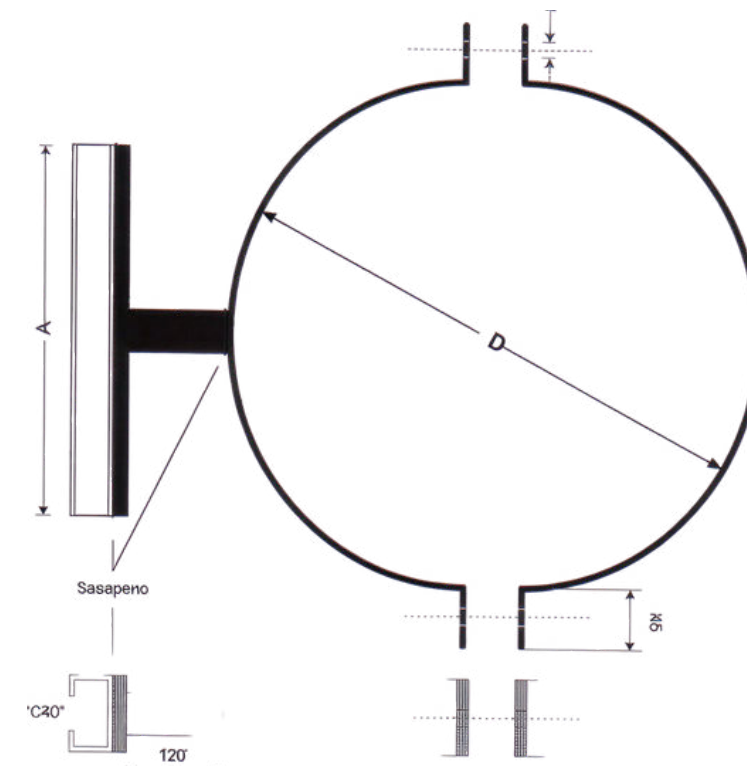
TC-N02 ROOF BRACKET / CABLE SUPPORT



Roof bracket, support point for fixing and guiding cable when passing over a roof structure, ensuring secure holding and easy installation.

TC-N03

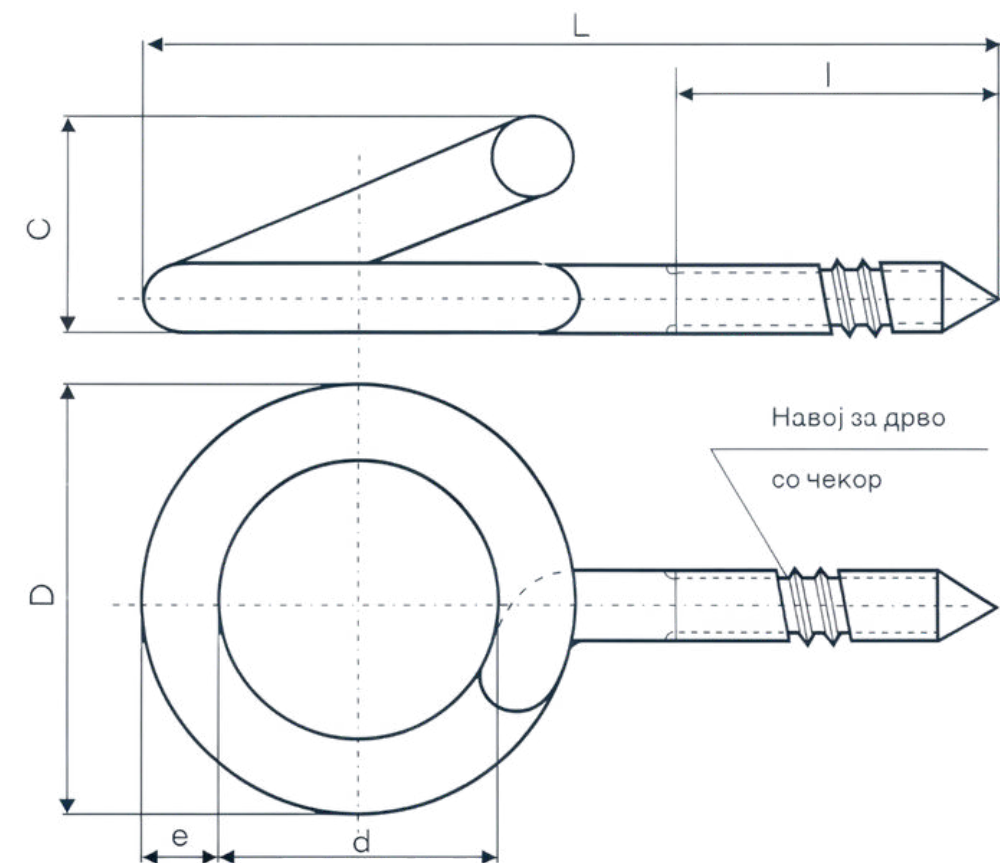
METAL BRACKET WITH C40 RAIL



Metal bracket with C40 rail for organized routing and fastening of cables on wooden or concrete poles, available in variants according to the pole diameter (D).

TC-N04

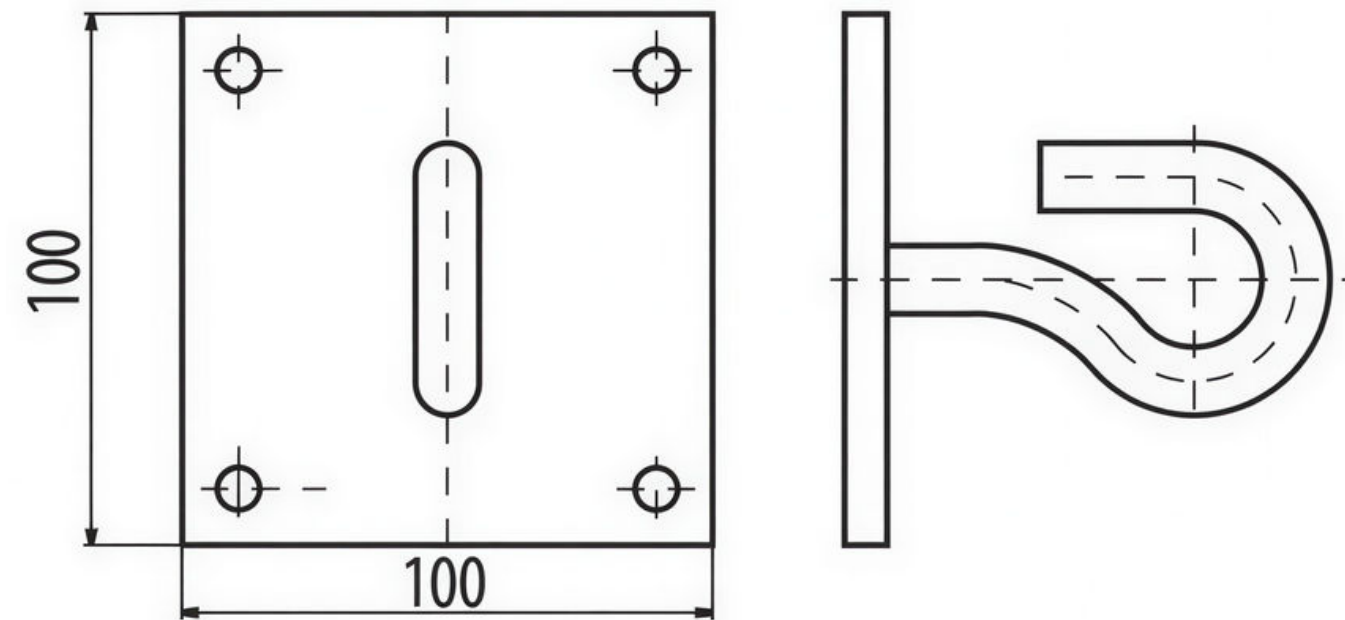
SEMI-OPEN HOOK BRACKET FOR WOODEN POLE



Eye screw for wooden pole, practical as a quick hanging point for clamps and connecting elements during field installation.

TC-N05

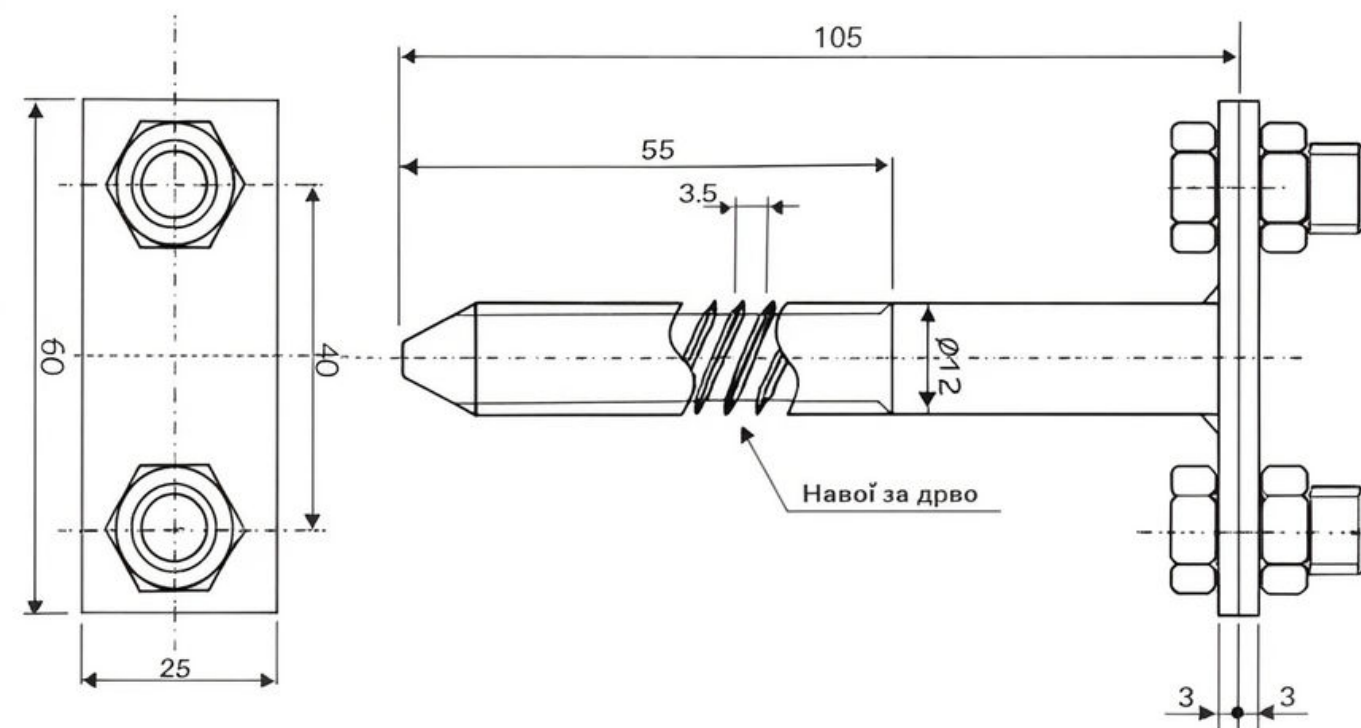
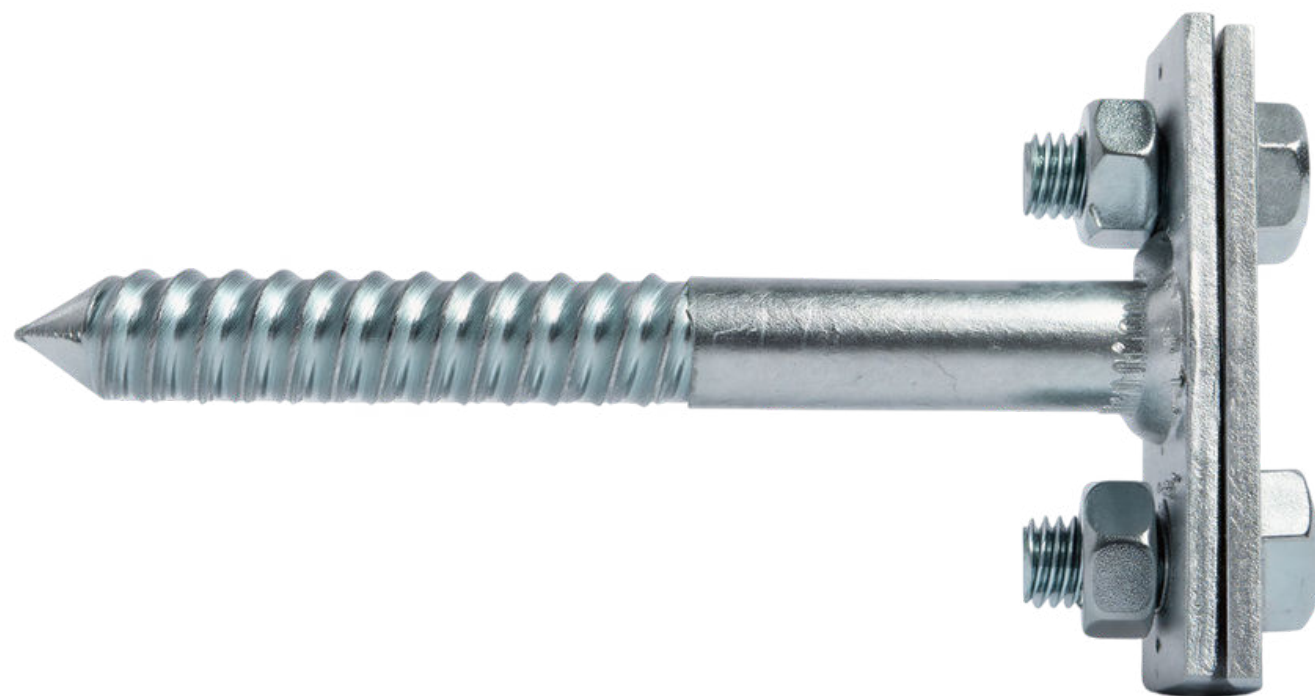
STEEL BRACKET FOR HOUSE CONNECTION



Steel bracket for house connection with mounting plate and hook, intended for fixing and routing cable on a wall or structure, in a standard form suitable for multiple applications.

TC-N06

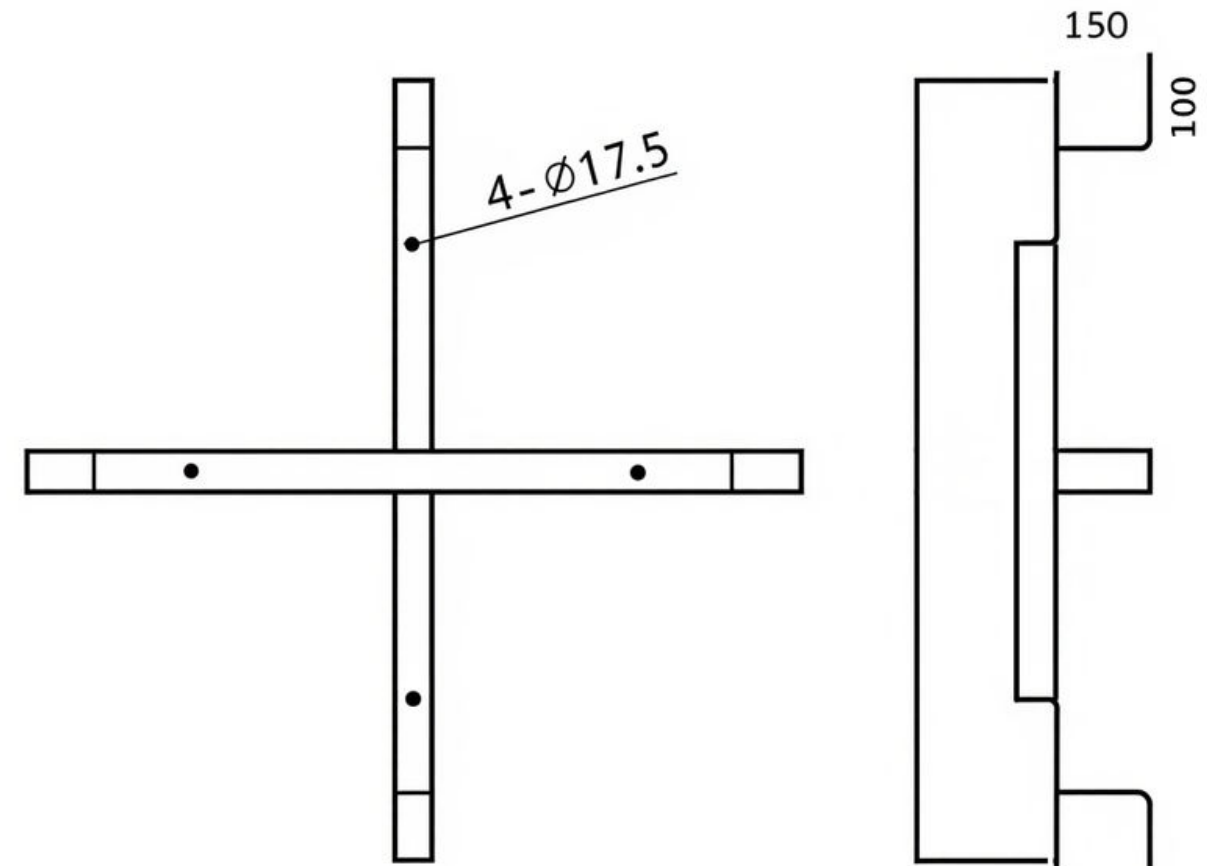
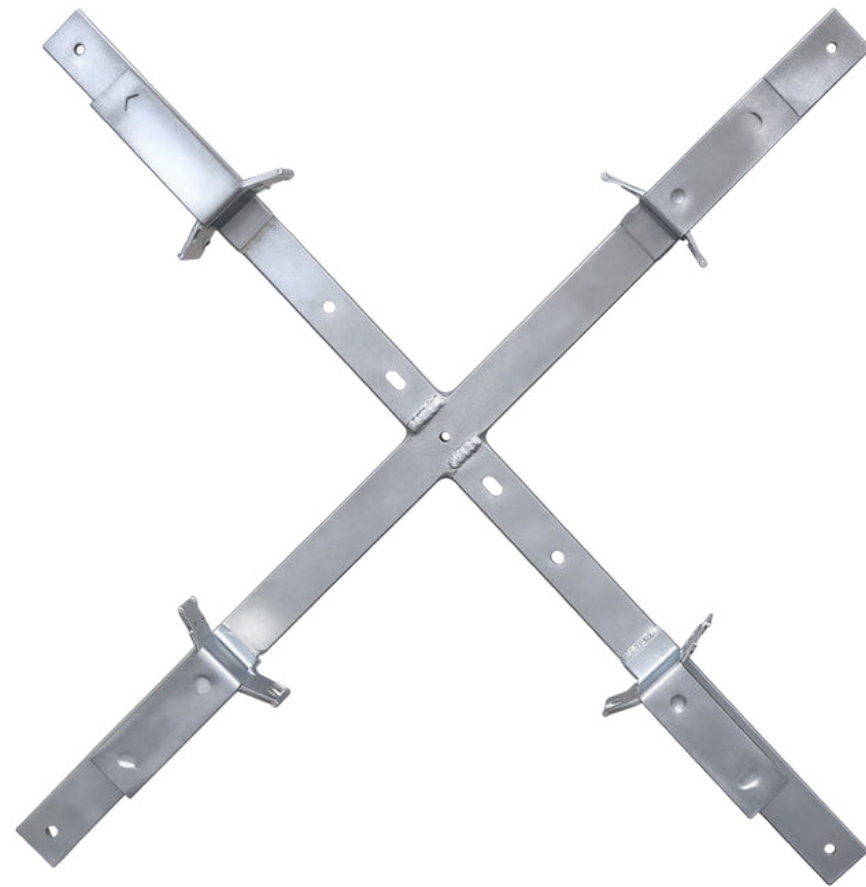
WALL BRACKET FOR LIGHTNING CONDUCTOR



Wall bracket for lightning conductor strip, intended for secure routing and holding of strip or mounting material, suitable for organized installation

TC-N07

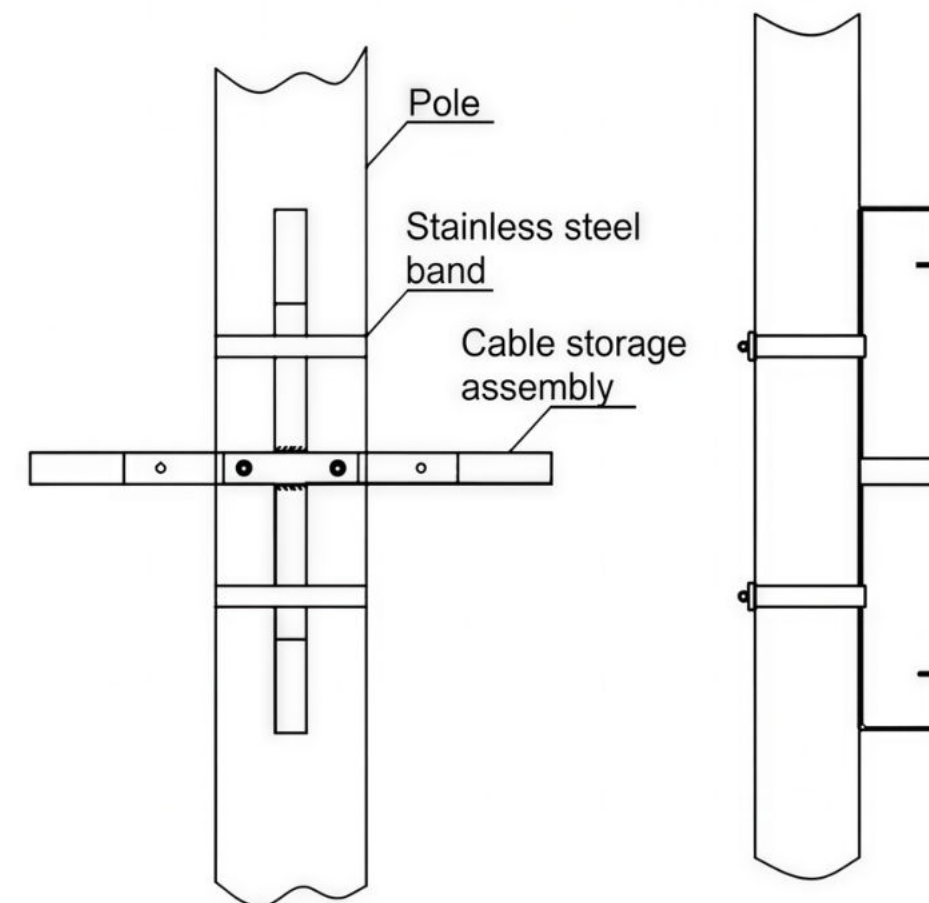
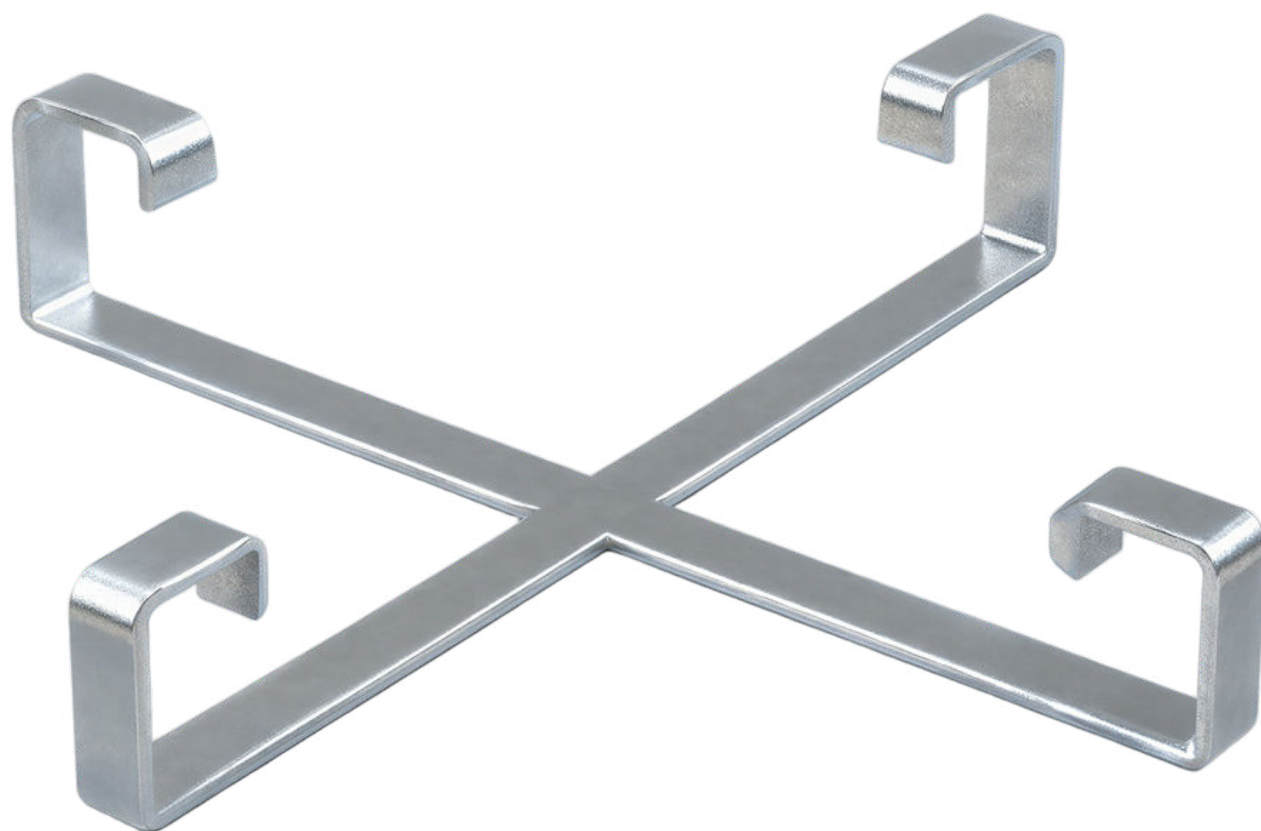
CABLE SLACK STORAGE CROSS, OUTDOOR



Outdoor cable slack storage cross for neat coiling and fixation of cable reserve on a pole or structure.

TC-N08

CABLE SLACK STORAGE CROSS, INDOOR



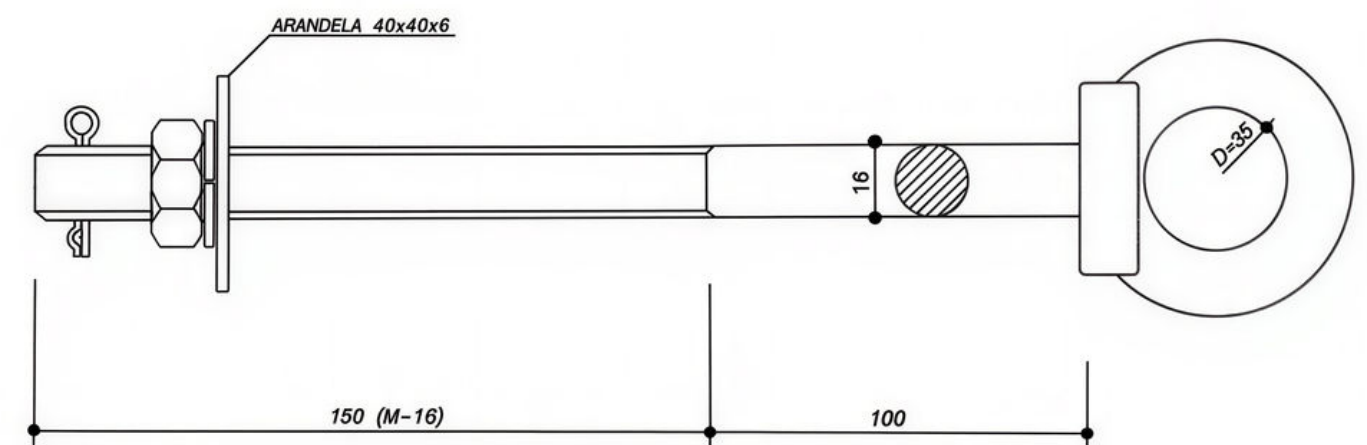
Indoor cable slack storage cross for organizing cable reserve in rooms or cabinets, allowing easier service access.

TC-N09 BRACKET FOR POLE-MOUNTED BOX



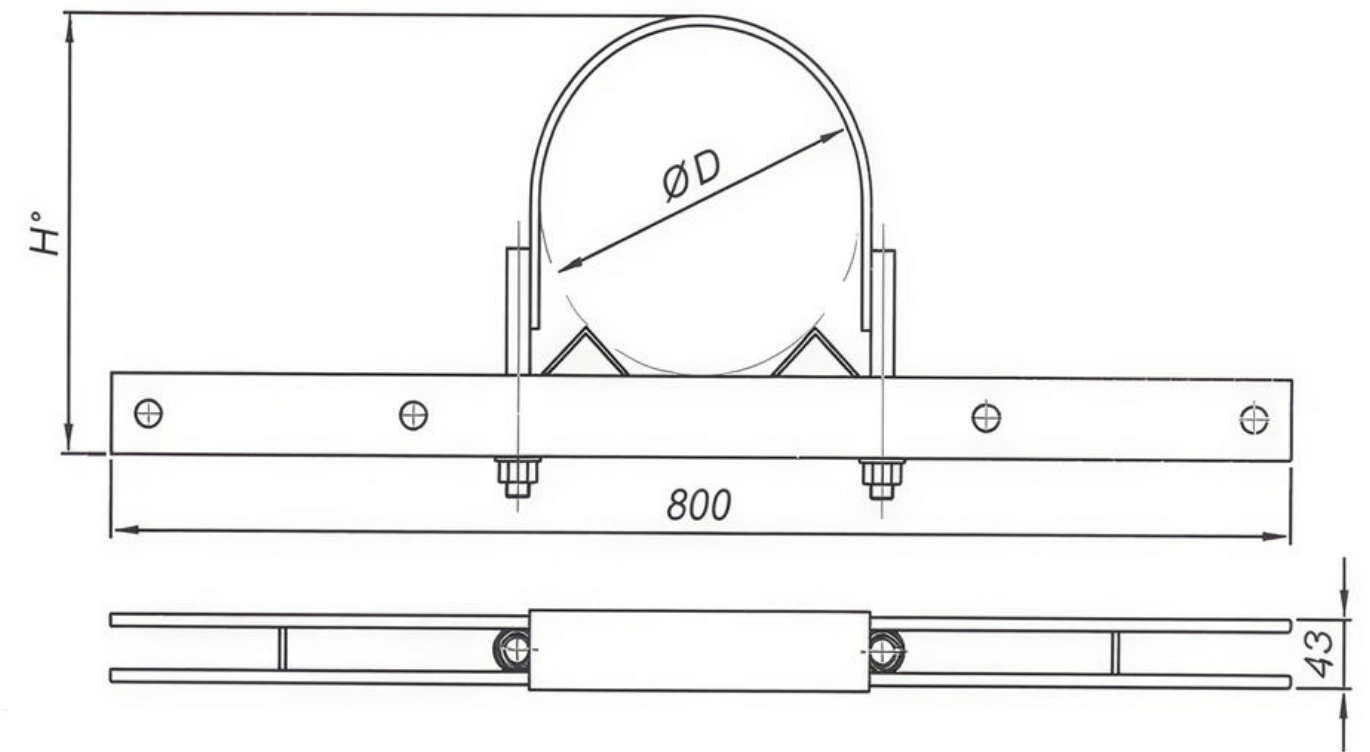
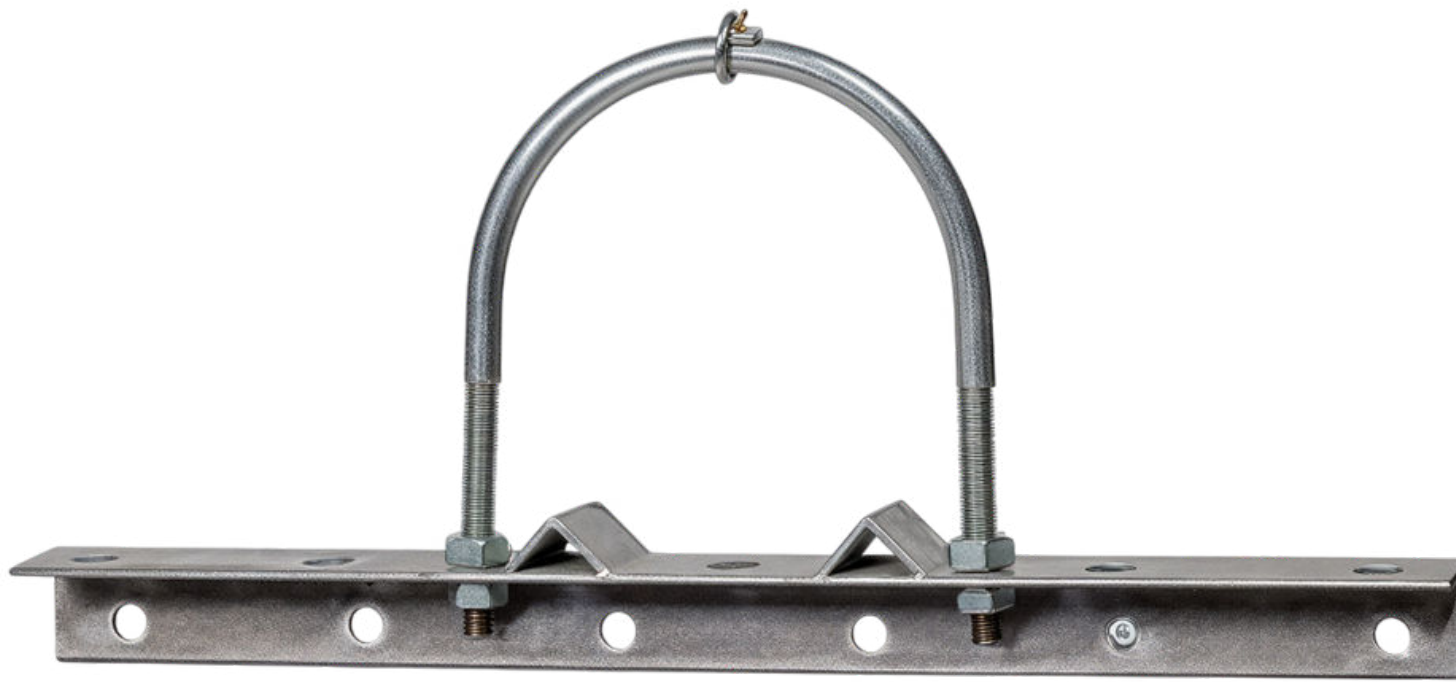
Bracket for pole-mounted box, intended for stable fastening of equipment, with the possibility of combining with pole bands and clamps during field installation

TC-N10 BRACKET WITH CLOSED HOOK FOR EMBEDDING IN POLE



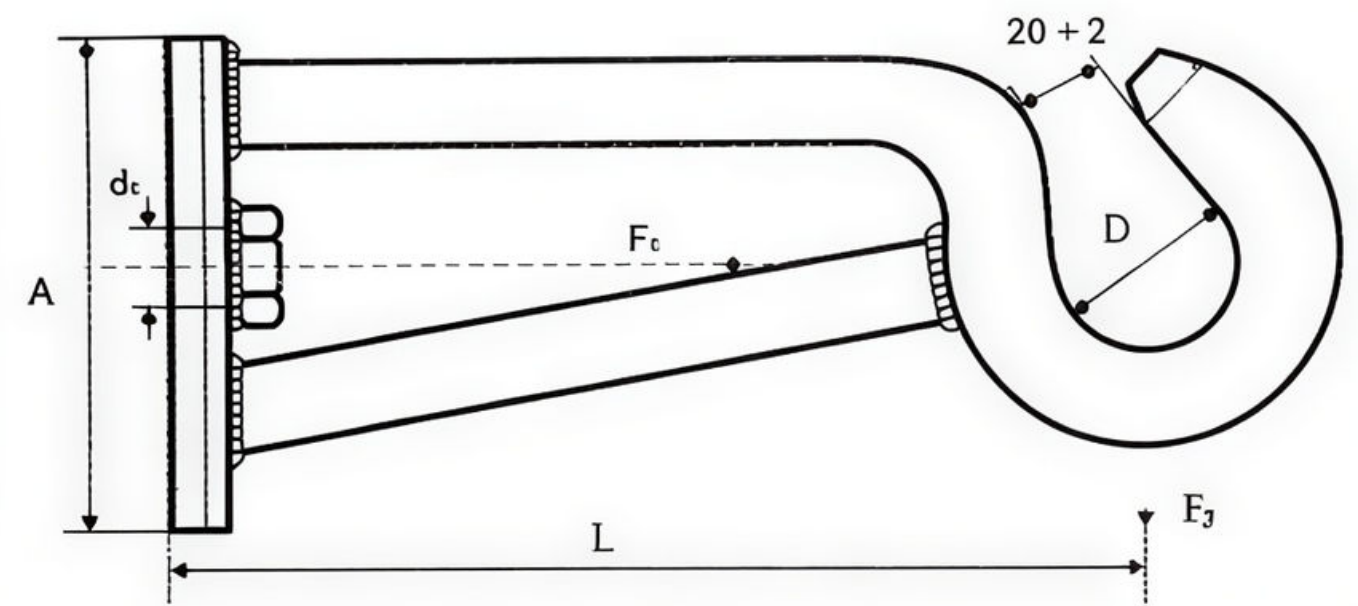
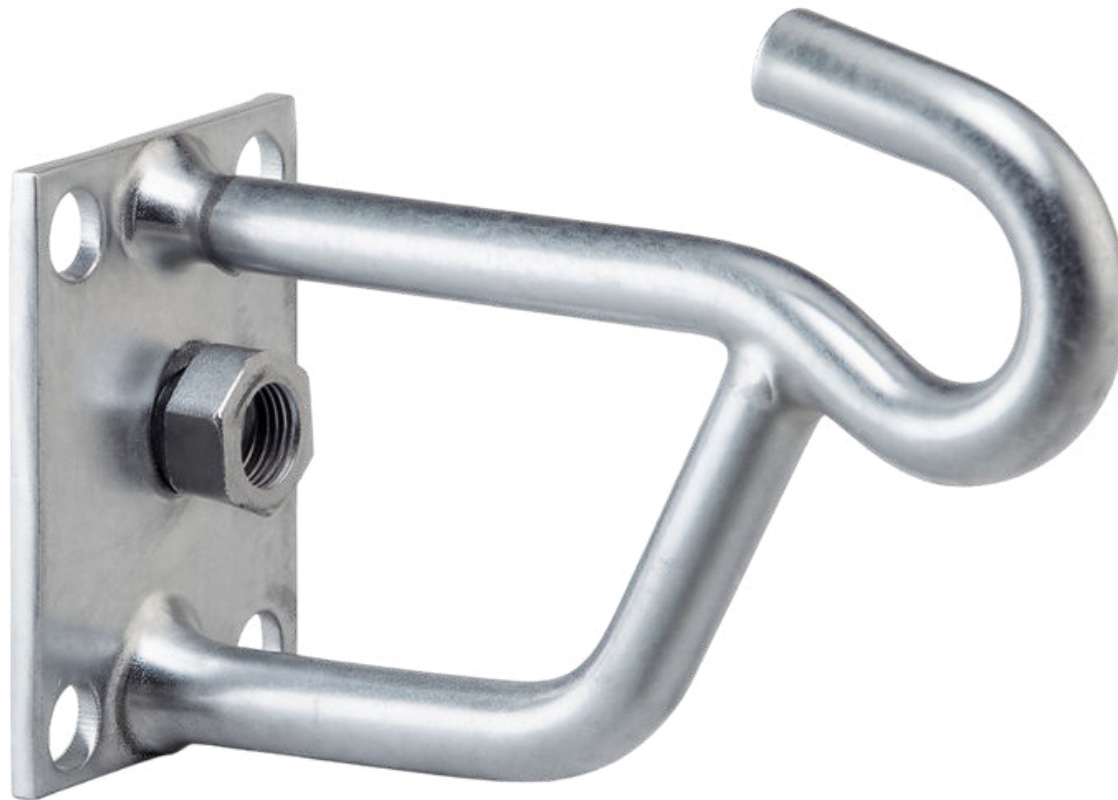
Bracket with closed hook for embedding in a pole, used as a secure hanging point for clamps and fittings, with reduced risk of detachment

TC-N11 BRACKET WITH U-BOLT FOR CABLE



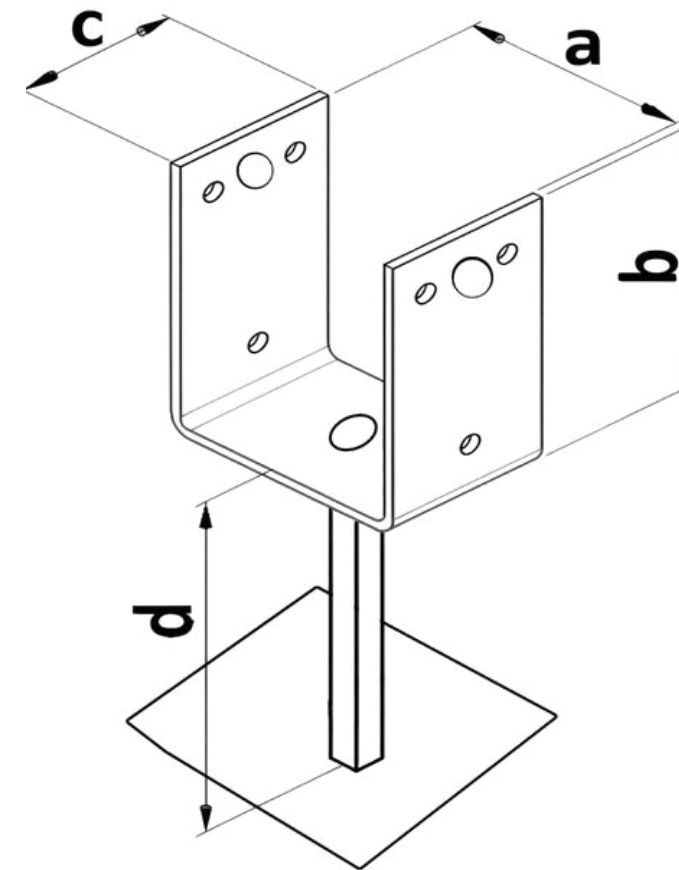
Mounting bracket with U-bolt for secure fixation and stable routing of cable on a structure

TC-N12 WALL BRACKET WITH HOOK



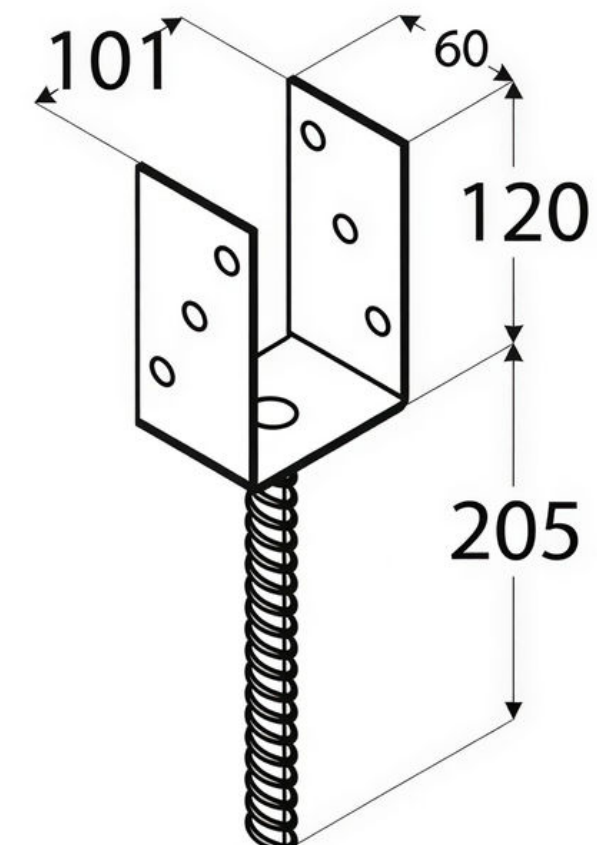
Wall bracket with hook for routing or hanging cable and associated elements, with stable screw-mounted installation.

TC-N13 BASE BRACKET FOR POLE



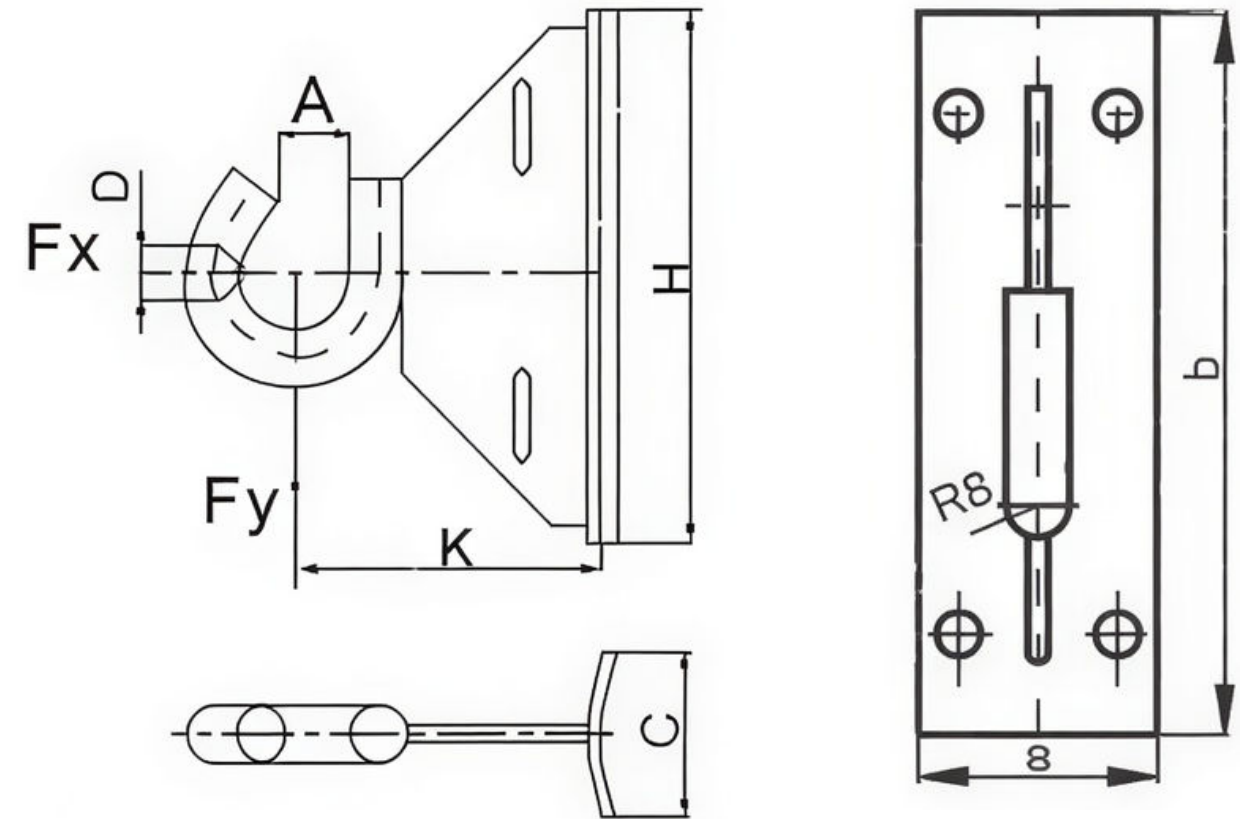
Base bracket with mounting base for stable fastening of an element to a surface or structure, when a firm mounting point is required

TC-N14 U-BRACKET WITH ANCHOR ROD



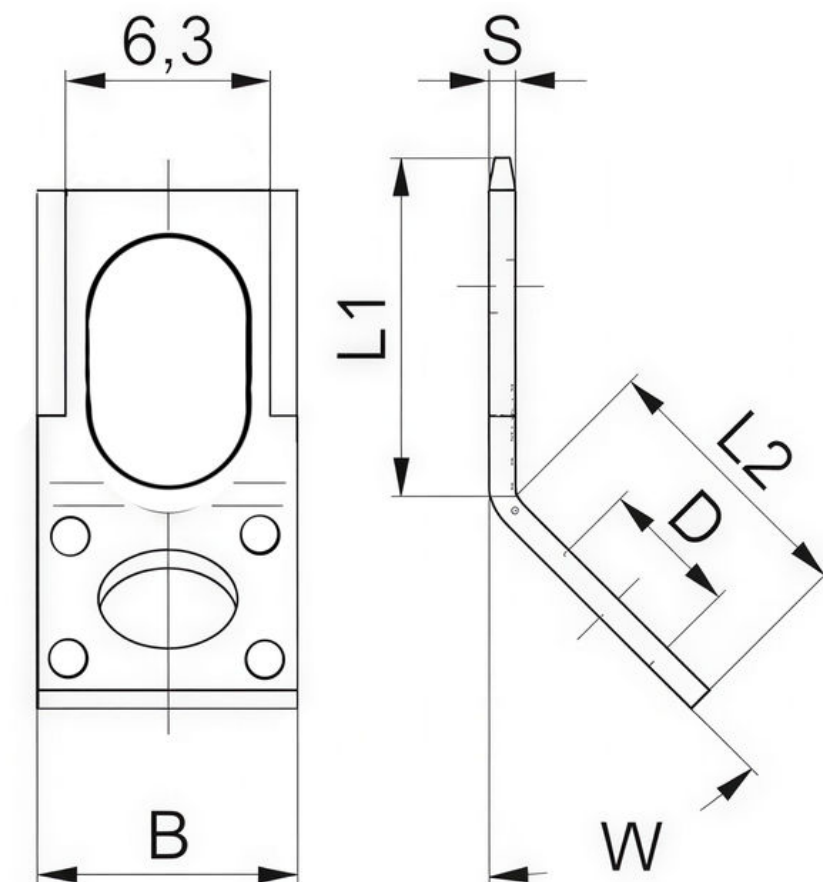
U-bracket with anchor rod for stable fixation of equipment and cable elements on a concrete base.

TC-N15 WALL BRACKET WITH HOOK FOR CABLE

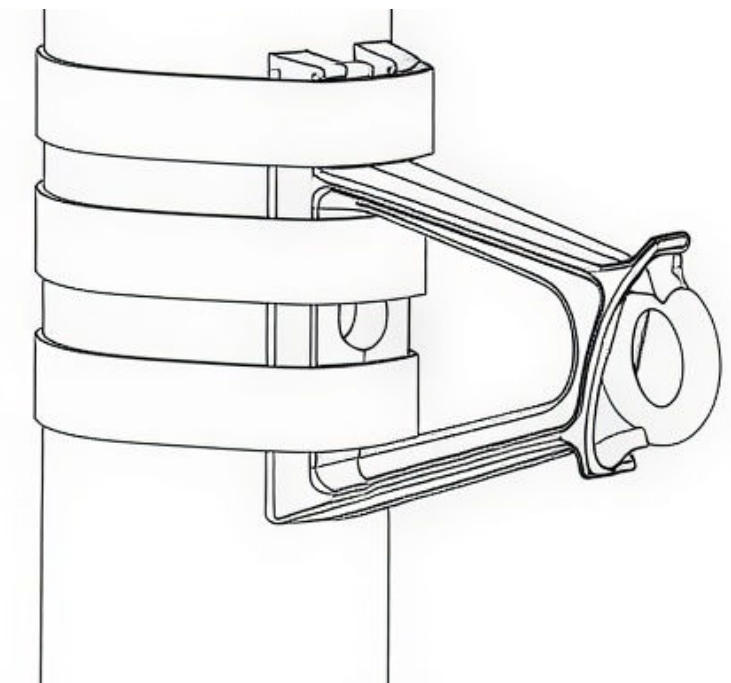
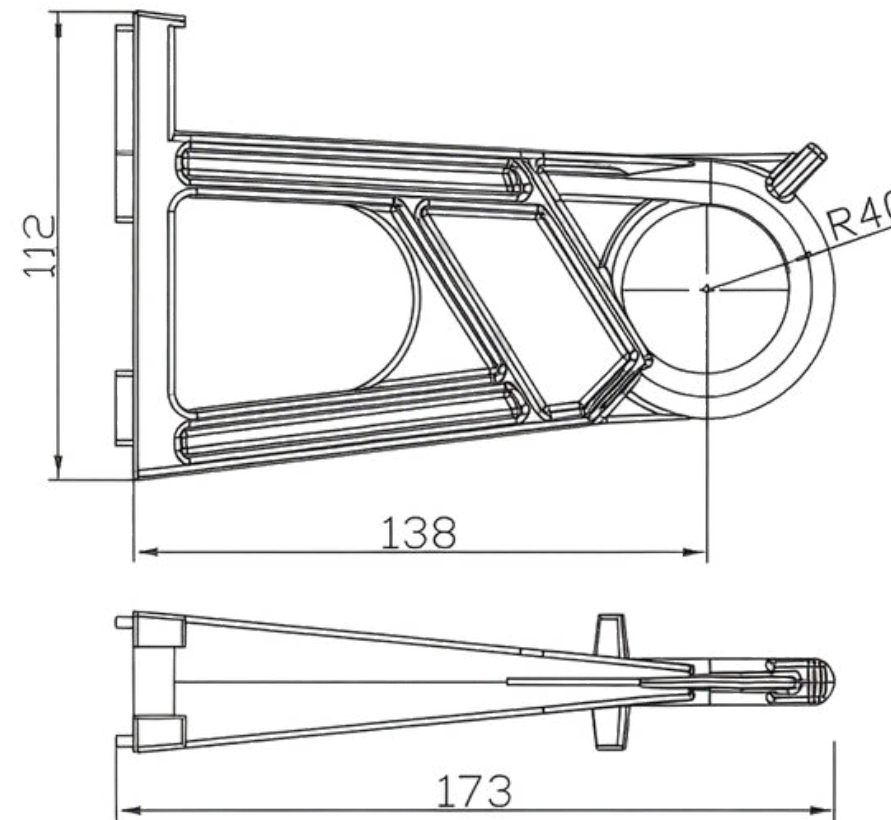
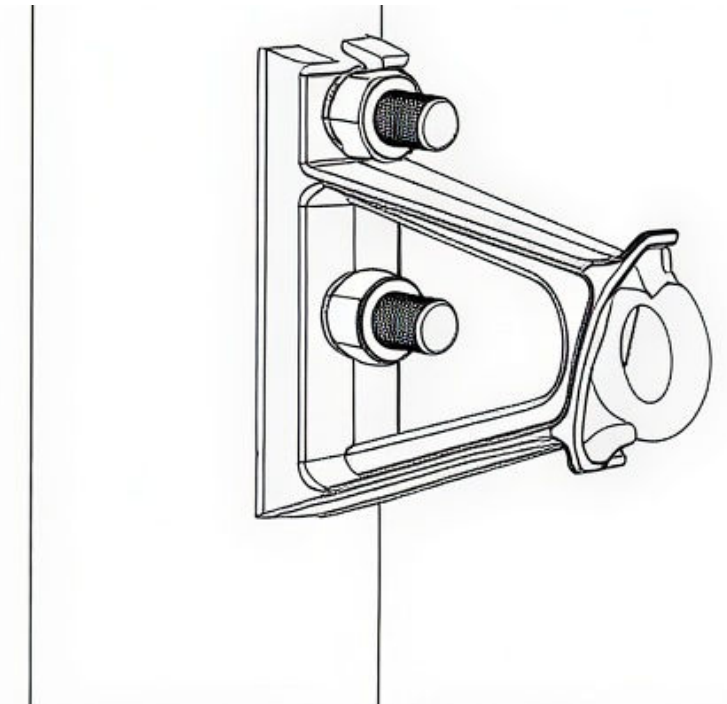
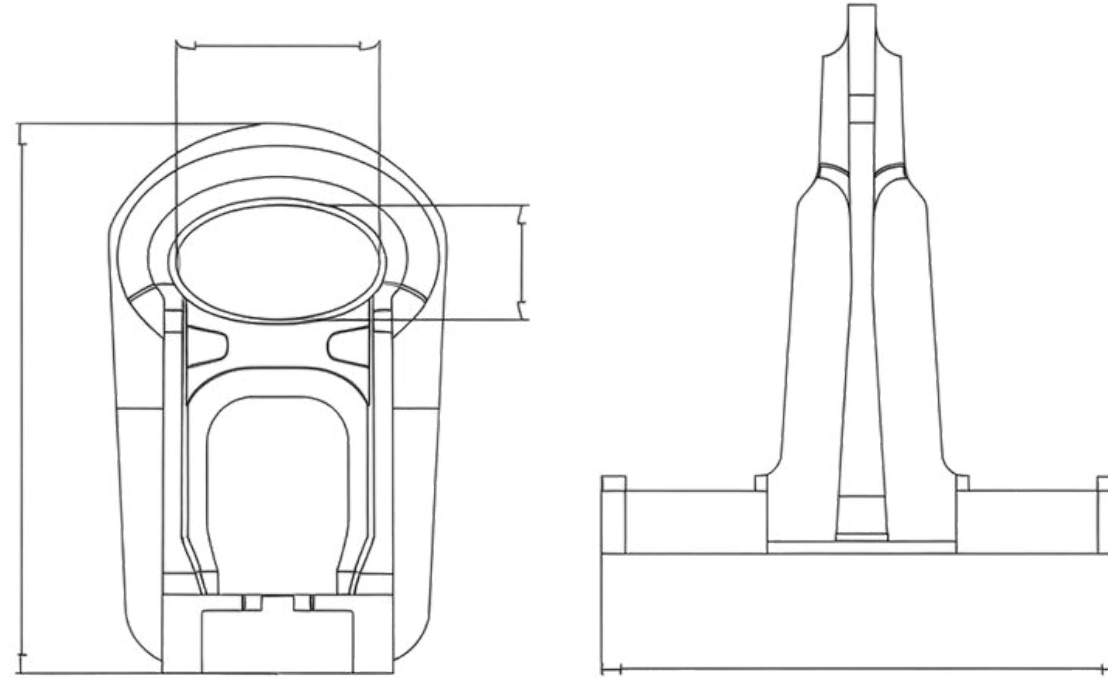


Bracket with hook for quick hanging and stable routing of cable, with mounting plate for secure fixation on a wall or structure.

TC-N16 ANGLE BRACKET



Universal angle bracket for fixing equipment or holders, with standard openings for quick installation.



Aluminum bracket CS10, used as an anchoring and fixing point for clamps and sets, a compact support for locations with limited space, combined with connecting elements according to the application.

TC-P01 L-PROFILE POLE BAND, PSK 17

TC-P01-1

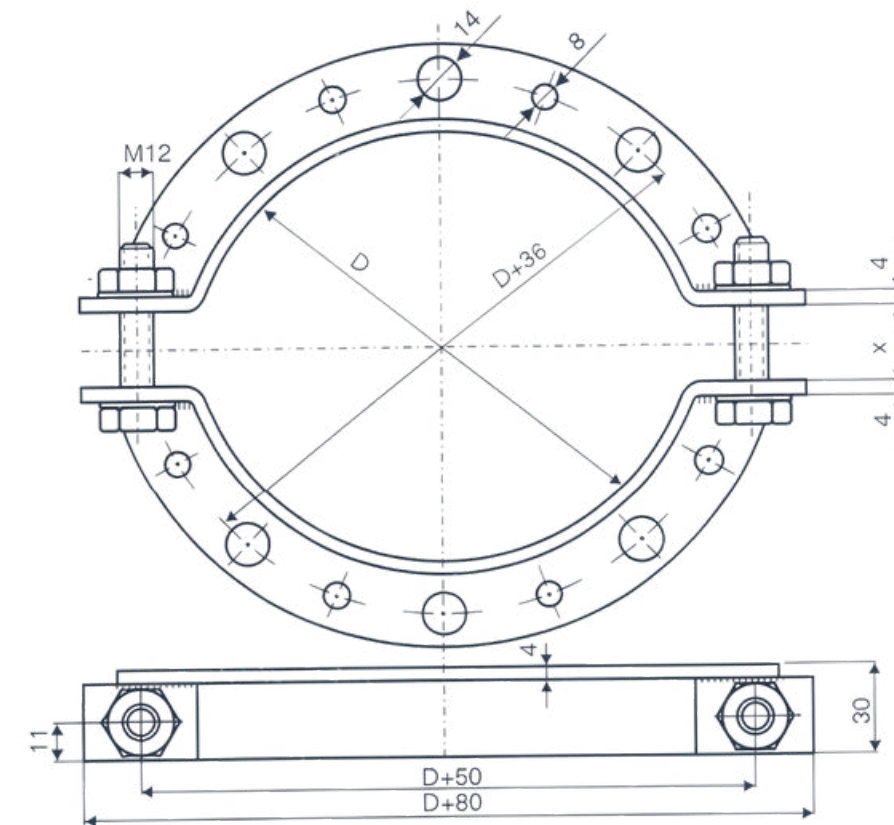
Ø pole
D=120-170

TC-P01-2

Ø pole
D=180-220

TC-P01-3

Ø pole
D=200-260



L-profile pole band PSK 17 for fastening elements to a pole, available in variants according to pole diameter.

TC-P02 POLE BAND FOR 4 SKS CABLE CONNECTIONS

TC-P02-1

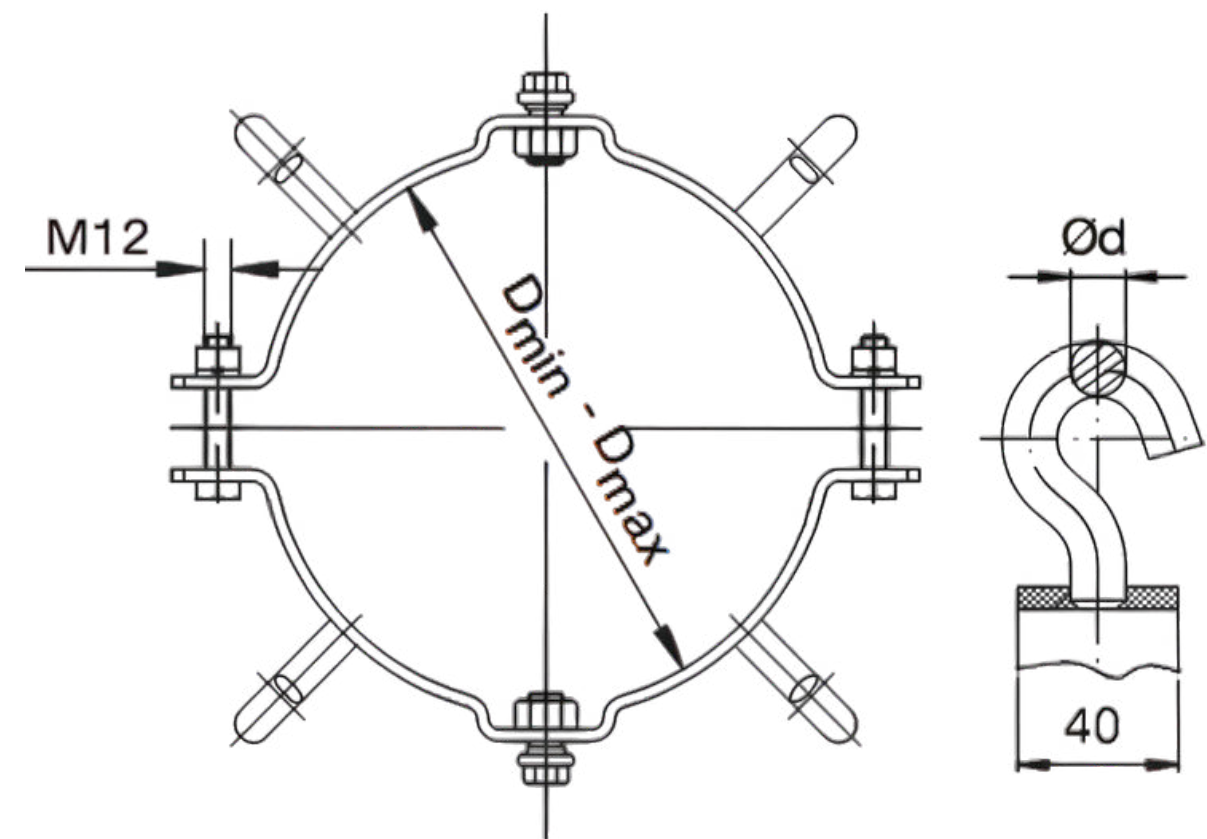
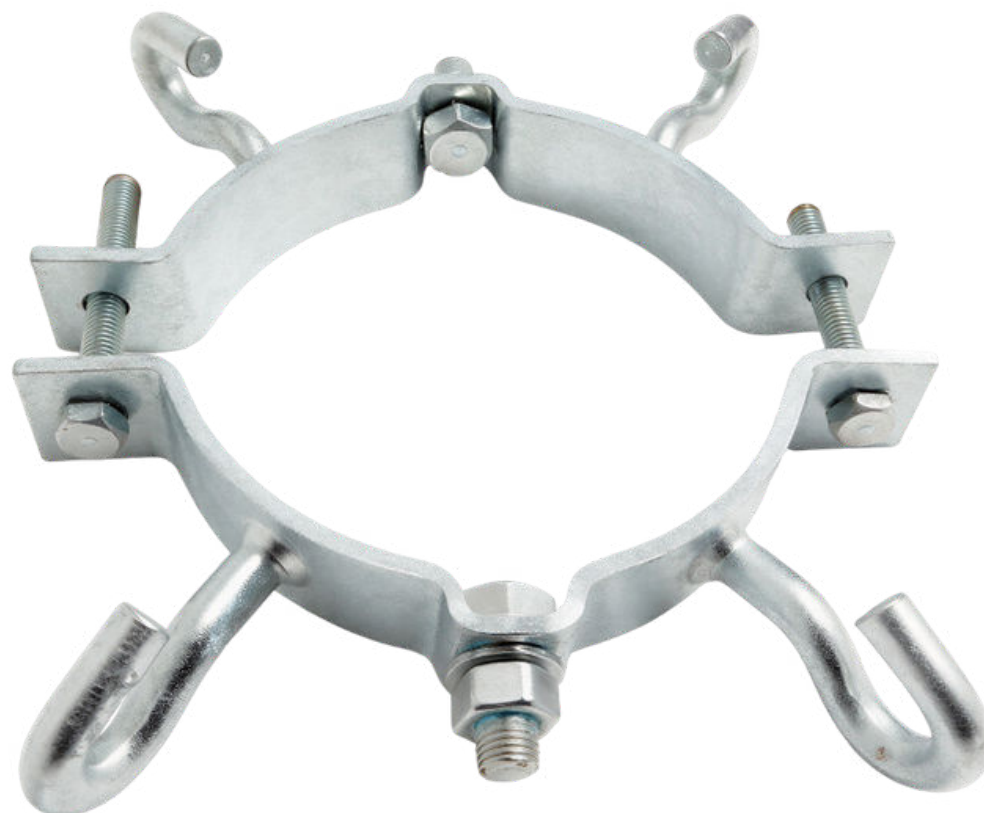
Ø pole
D=140-170

TC-P01-2

Ø pole
D=170-210

TC-P01-3

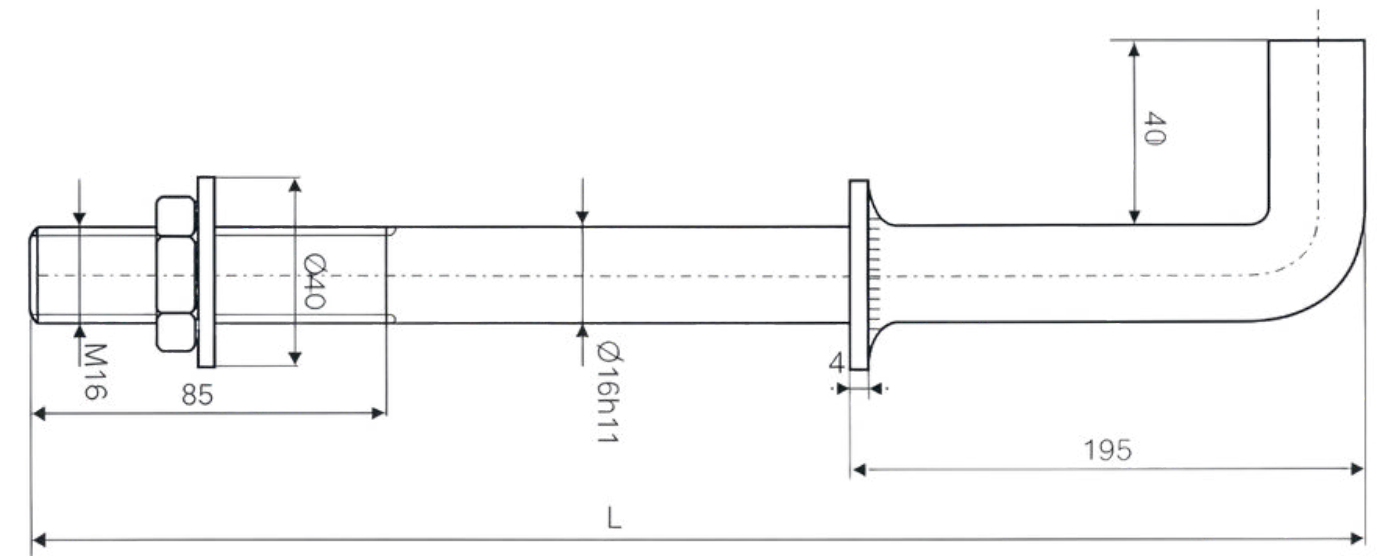
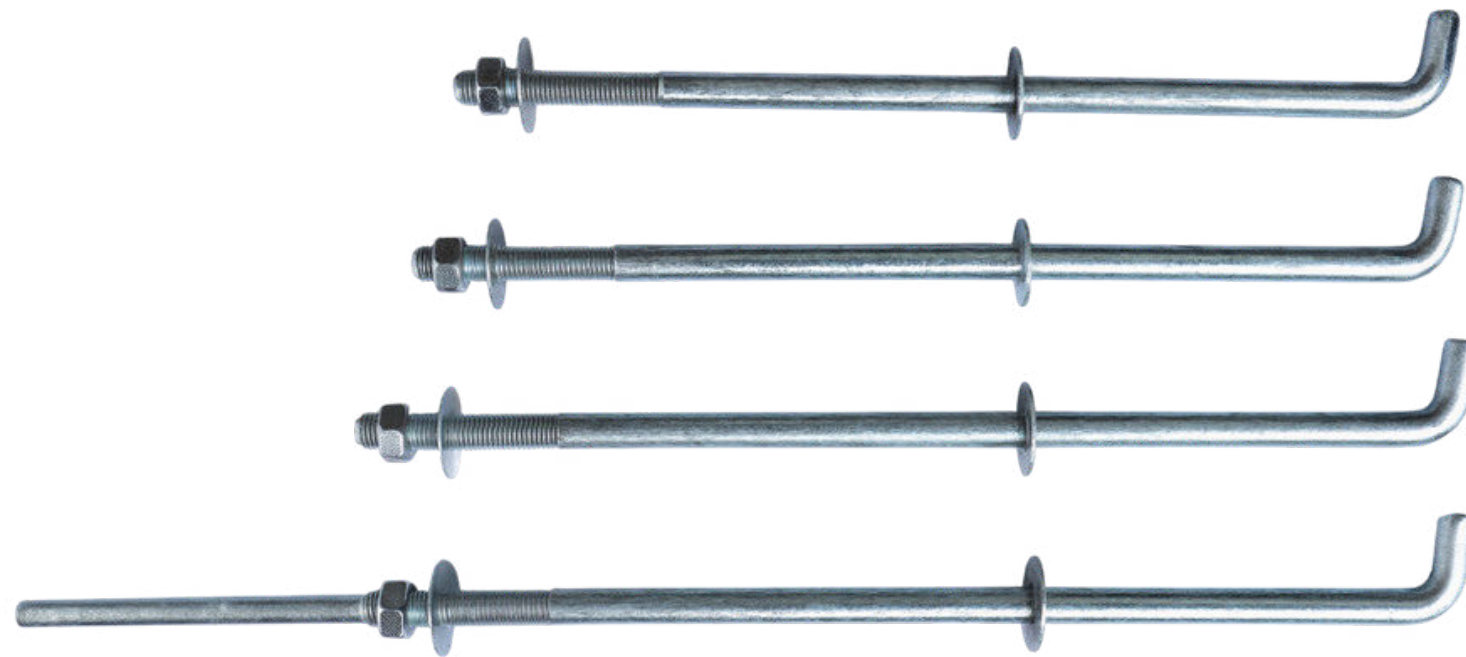
Ø pole
D=210-290



Pole band for 4 SKS cable connections, intended for organized holding and routing of multiple conductors on a pole.

TC-P03

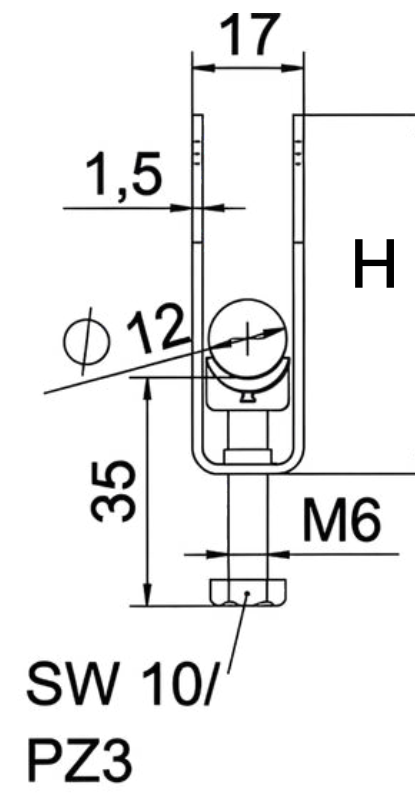
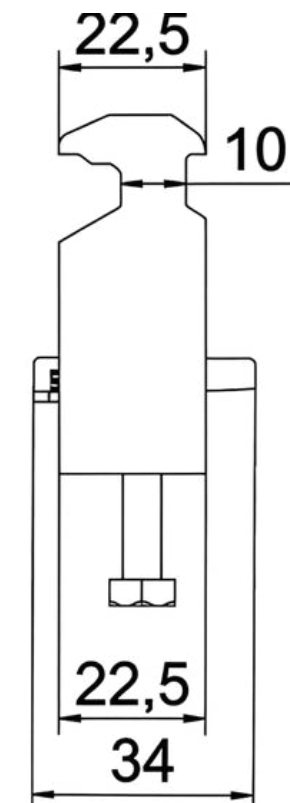
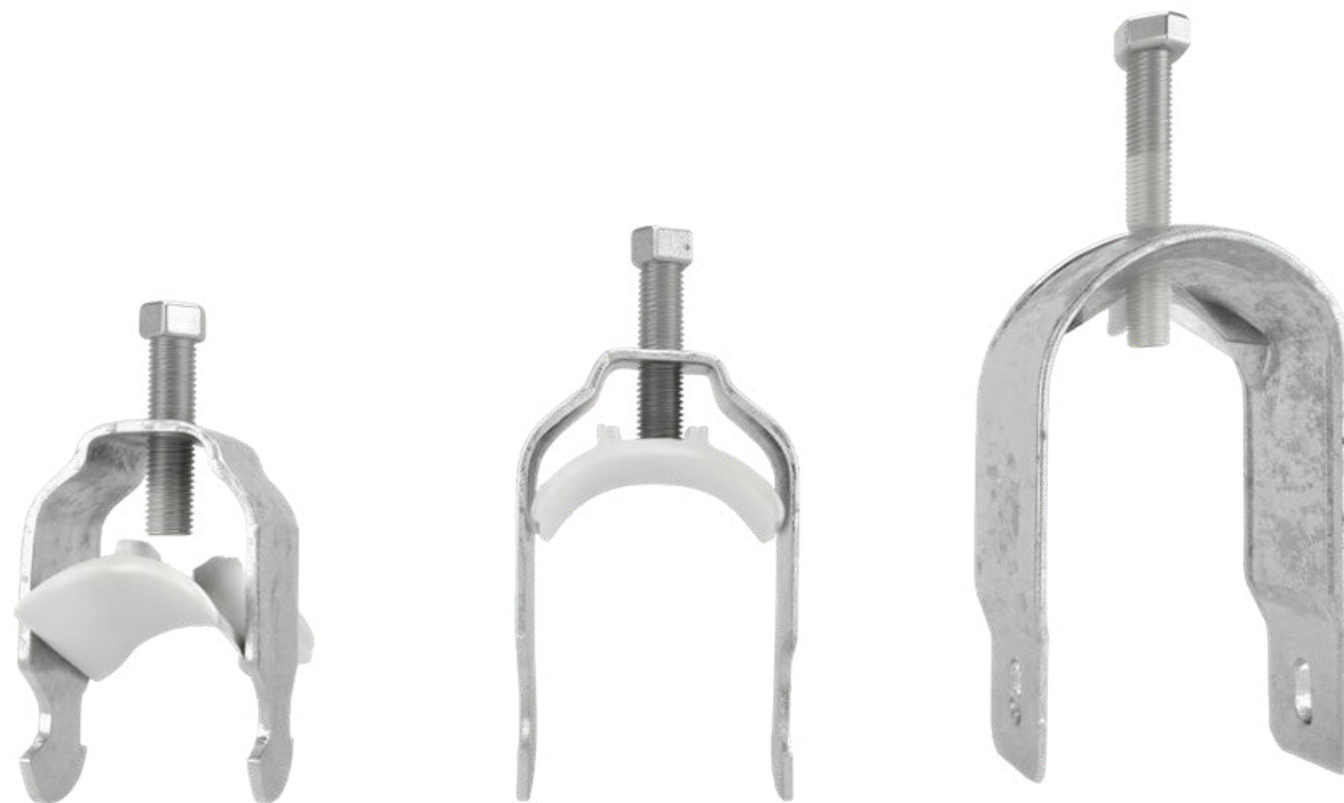
ANCHOR ELEMENTS FOR POLE MOUNTING



Set of anchor bolts for fastening brackets and elements to a base, a practical solution for stable installation

TC-P04

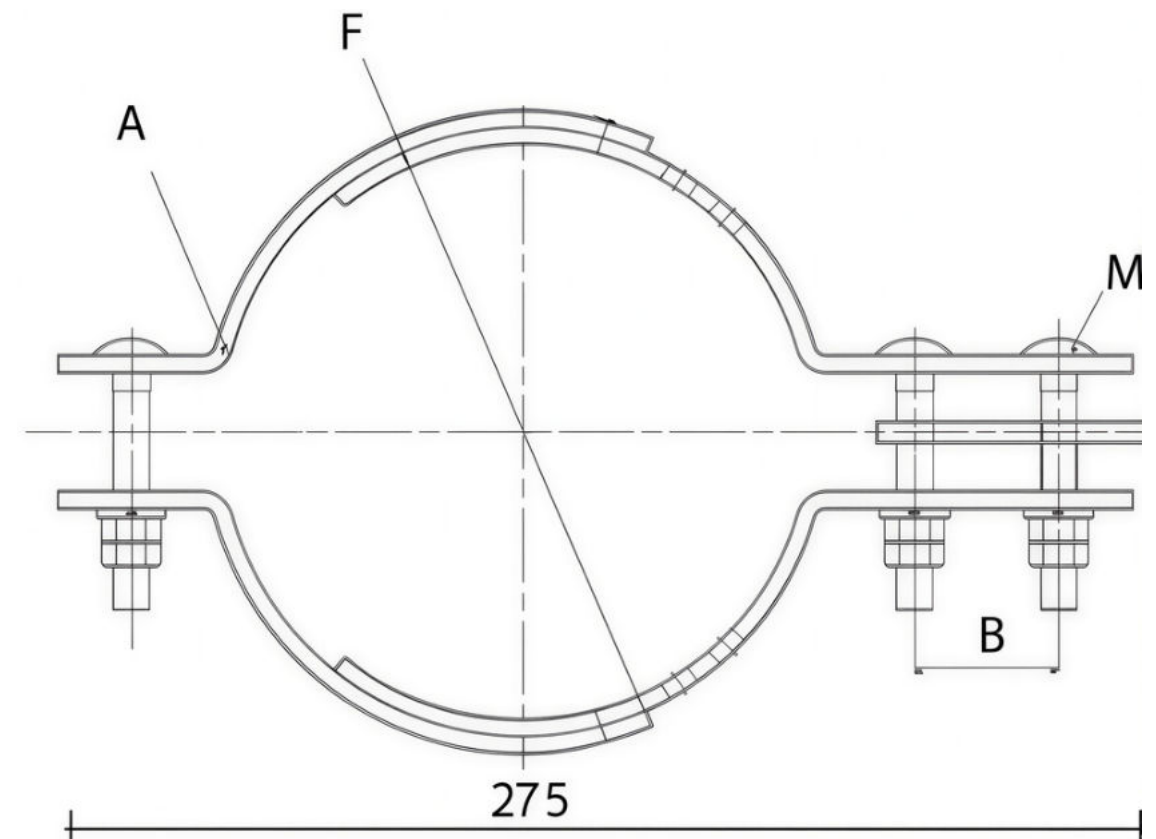
CLAMP FOR C-40 RAIL / CLIP CLAMPS FOR CABLE FASTENING



Clamp for C-40 rail and clip clamps for quick and secure fastening of cables to a structure, available in multiple dimensions and versions according to the application.

TC-P05

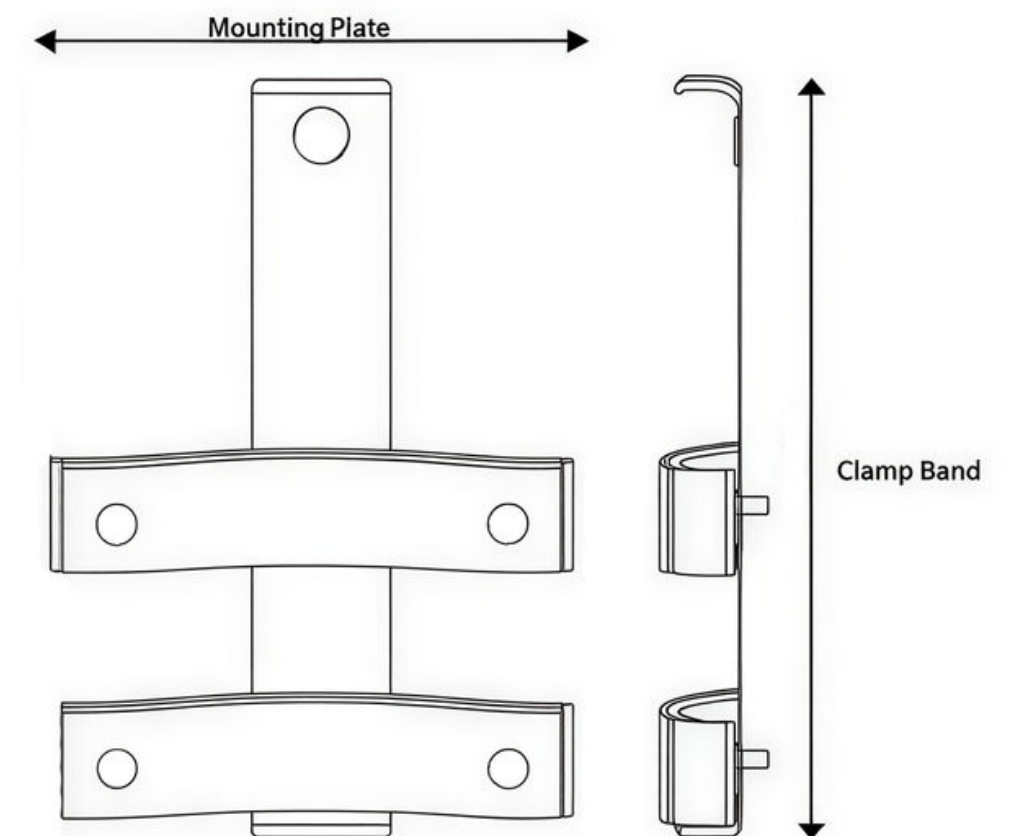
POLE BAND FOR VERTICAL CABLE ROUTING ON A POLE



Pole band for vertical cable routing on a pole, with multiple fixing points for neat routing and load relief along the route.

TC-P06

TOP-OF-POLE CLAMP



Top-of-pole clamp for fixing an element at the top or end of a profile, for quick installation and stable holding.

TC-P07 STAINLESS STEEL BAND CLAMPS WITH STRAP (SET)



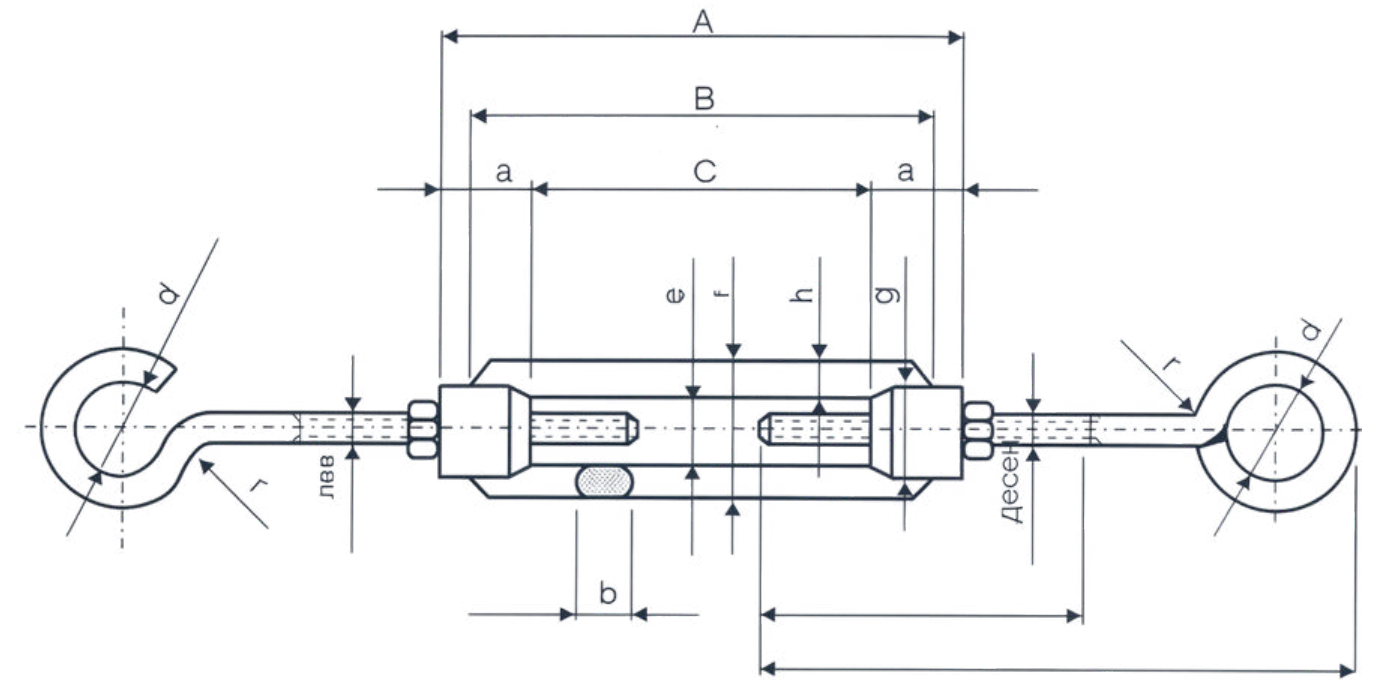
Stainless steel band clamps with strap for quick and secure tightening and additional fixation of equipment and cable elements on a pole

TC-H01 SHACKLES AND U-BOLTS



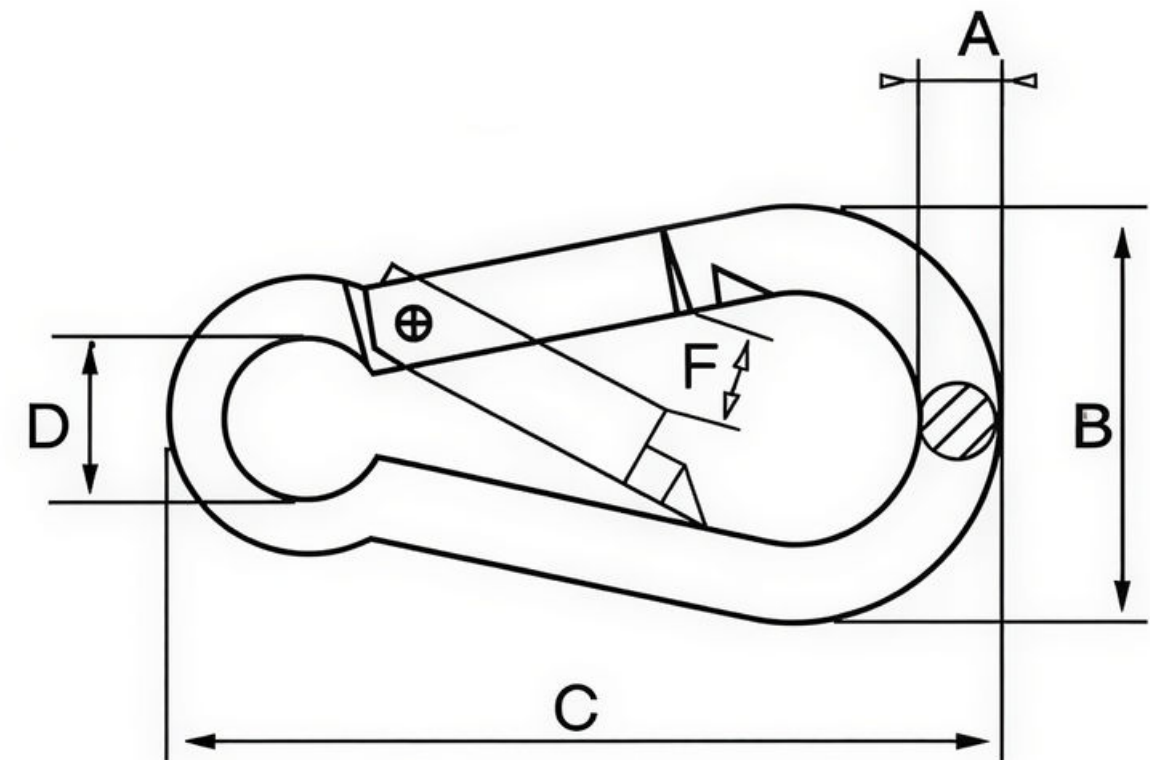
Shackles and U-bolts for secure connection and fixation of elements, practical for installation together with clamps and brackets.

TC-H02 TURNBUCKLE, PSK18

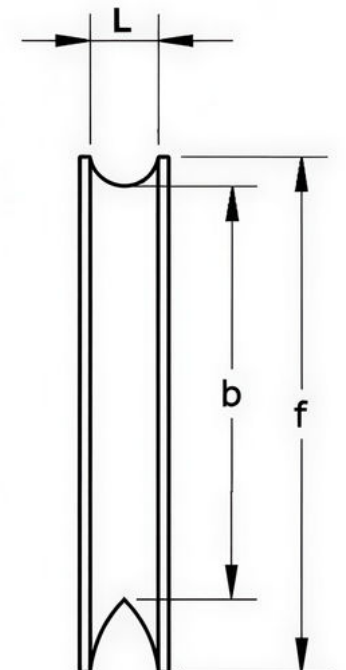
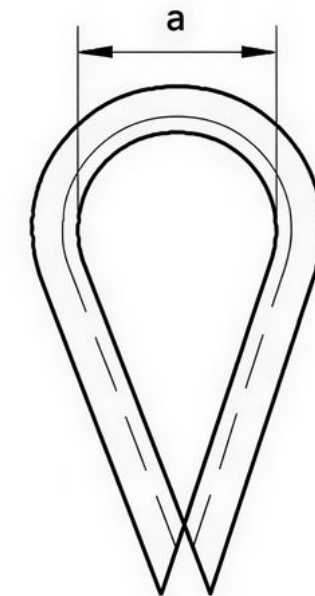
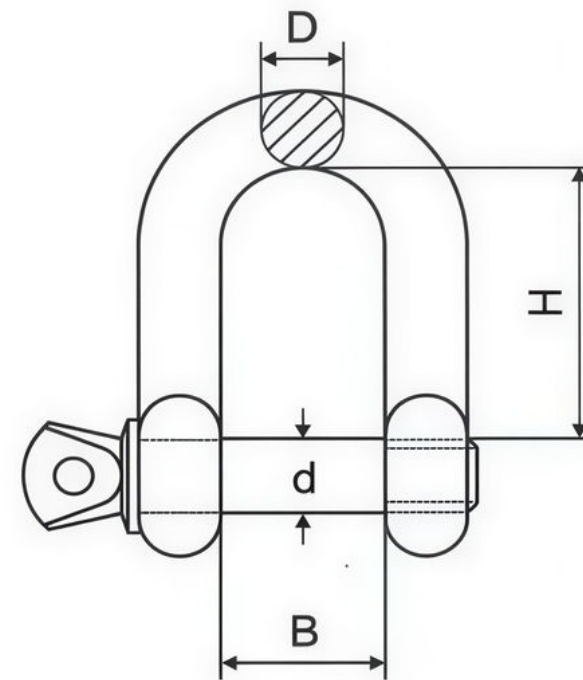
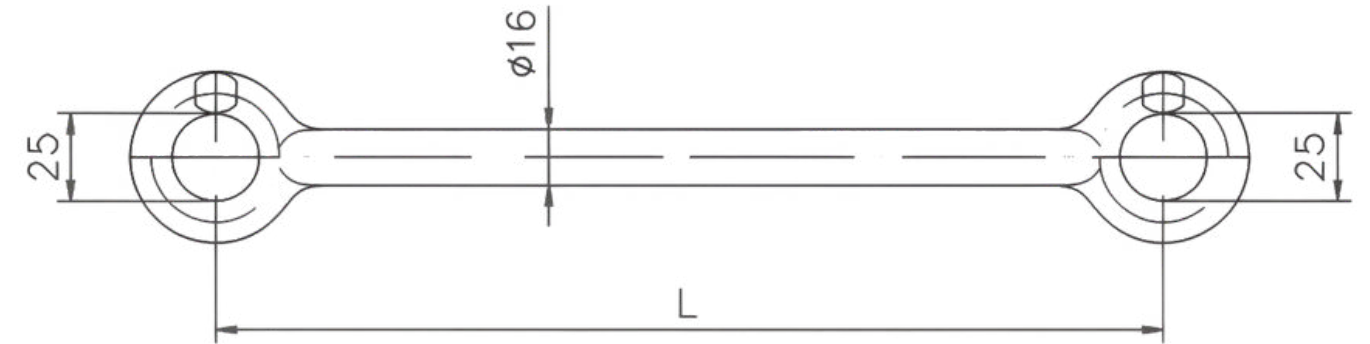


PSK18 turnbuckle (M6–M18), made of galvanized steel, for adjustment and stabilization of tension during installation of overhead telephone lines, manufactured according to PTT standard No. 021-10229/91.

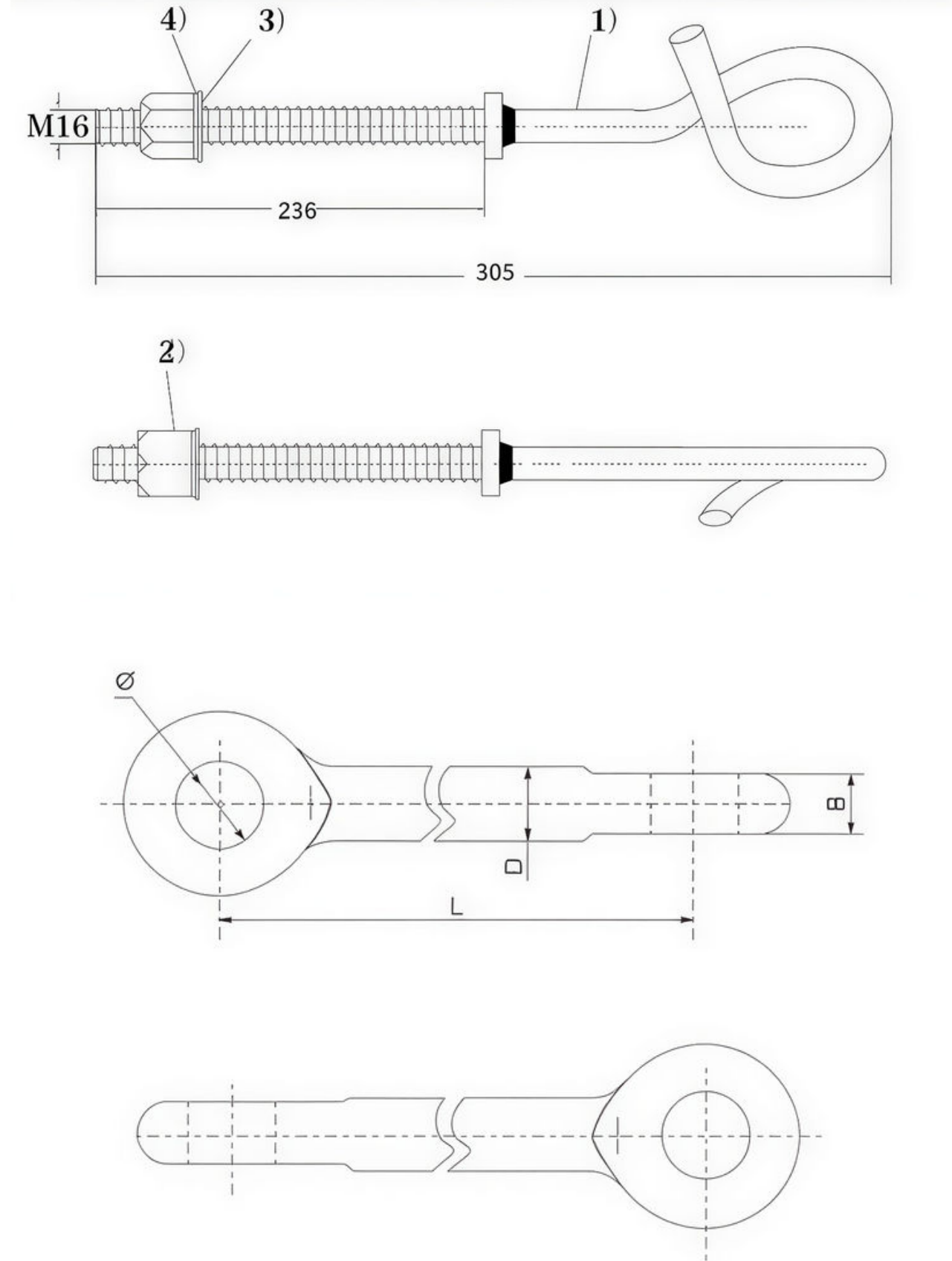
TC-H03 CARABINERS



Carabiners for quick connection and hanging of elements, practical as auxiliary connecting elements in field installation.

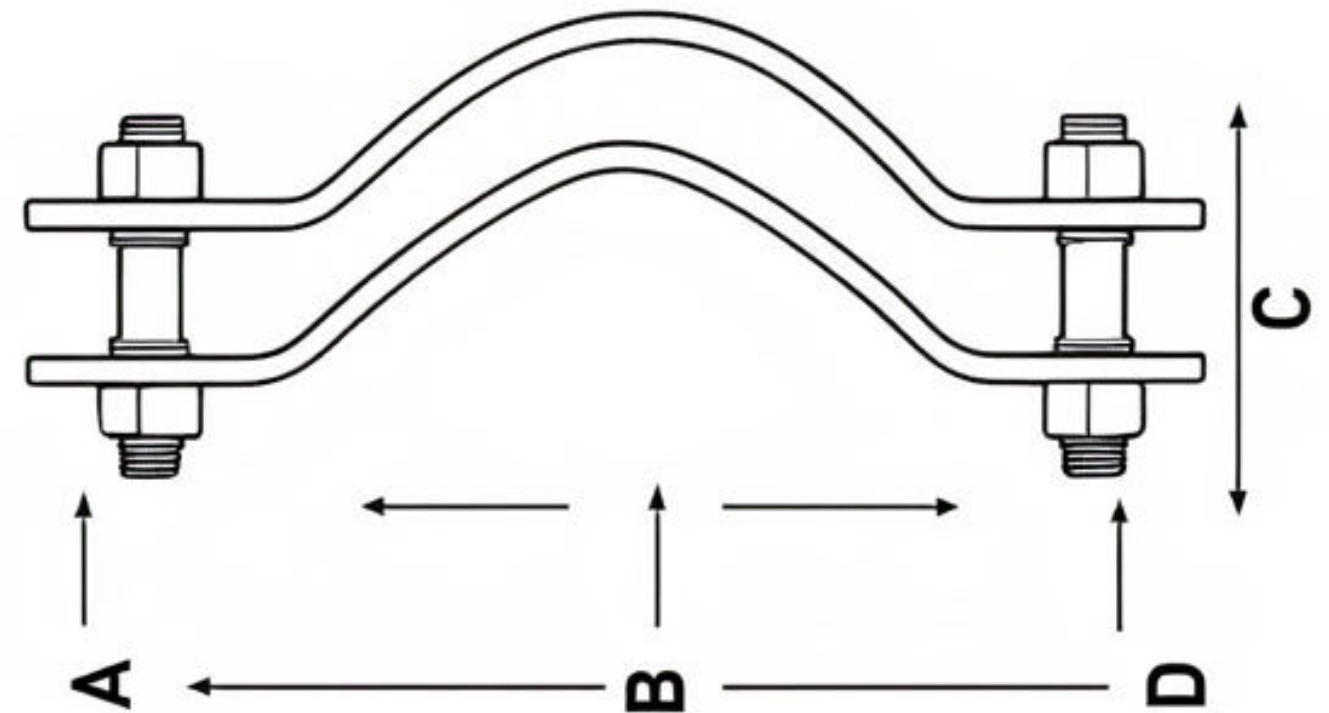


Fittings for extension and connection between mounting points, intended for connecting clamps, brackets, and equipment when additional distance or length is required.



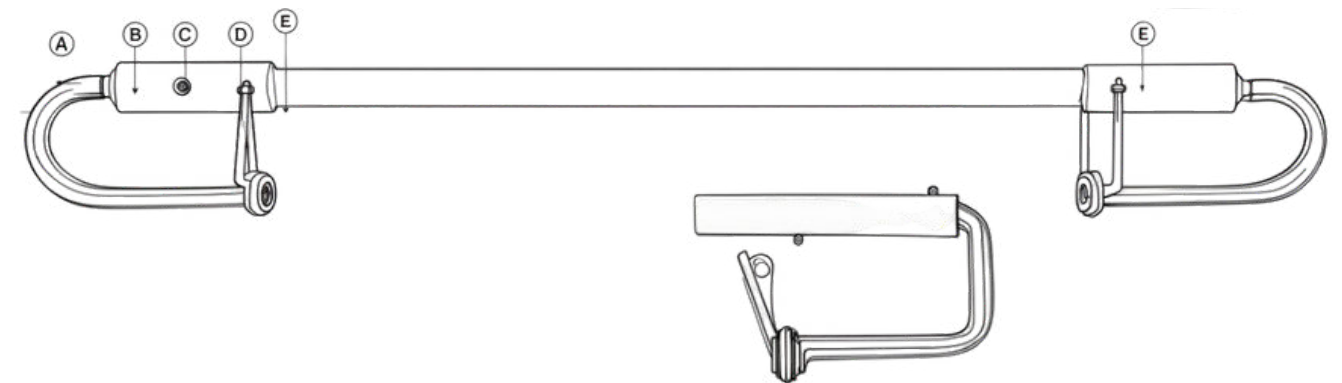
Eye bolts for connection with joining elements and brackets, a practical mounting point for hanging in multiple systems.

TC-D01 CABLE SPACER



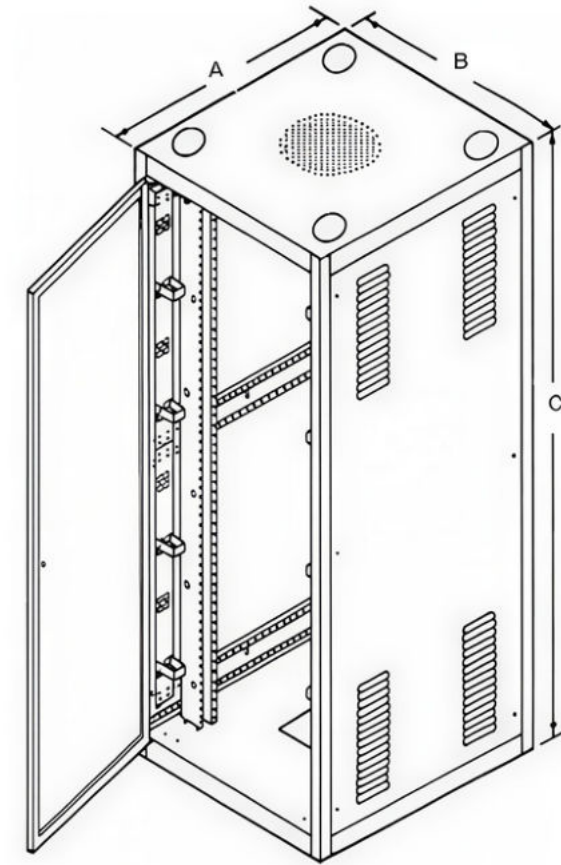
Cable spacer bracket for stable cable routing and maintaining distance from the structure, with secure screw fixation

TC-D02 CABLE SPACER BRACKET



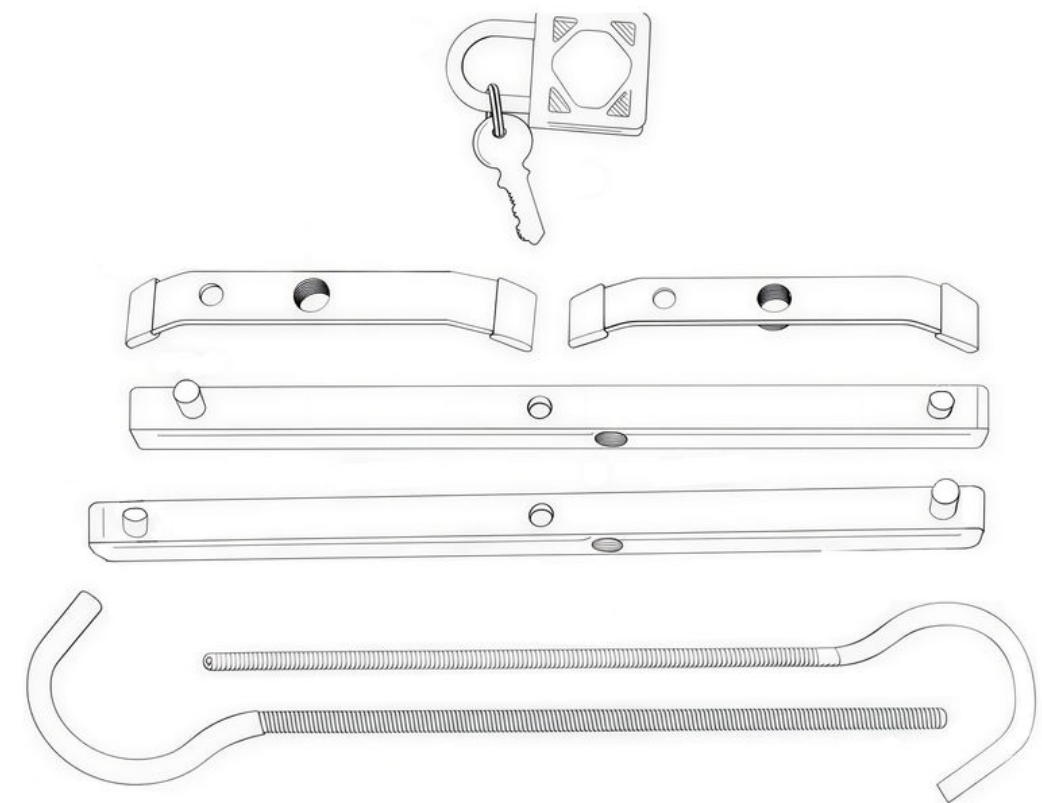
Cable spacer for maintaining distance and stable cable position along the route, suitable for organized installation.

TC-001 ELECTRICAL CABINET



Electrical cabinet for organizing and protecting electrical and communication equipment, with practical service access for field applications.

TC-X01 LADDER LOCK



Ladder lock, a safety element for locking and restricting access, as additional protection in field conditions.

ORDERING INFORMATION AND TECHNICAL NOTES

The catalog is an informative overview of the most commonly used elements for telecommunication and cable installations.

For accurate selection and compliance with field application, we recommend checking the installation conditions and the required configuration before placing an order.

FOR QUOTATION AND ORDER, PLEASE PROVIDE:

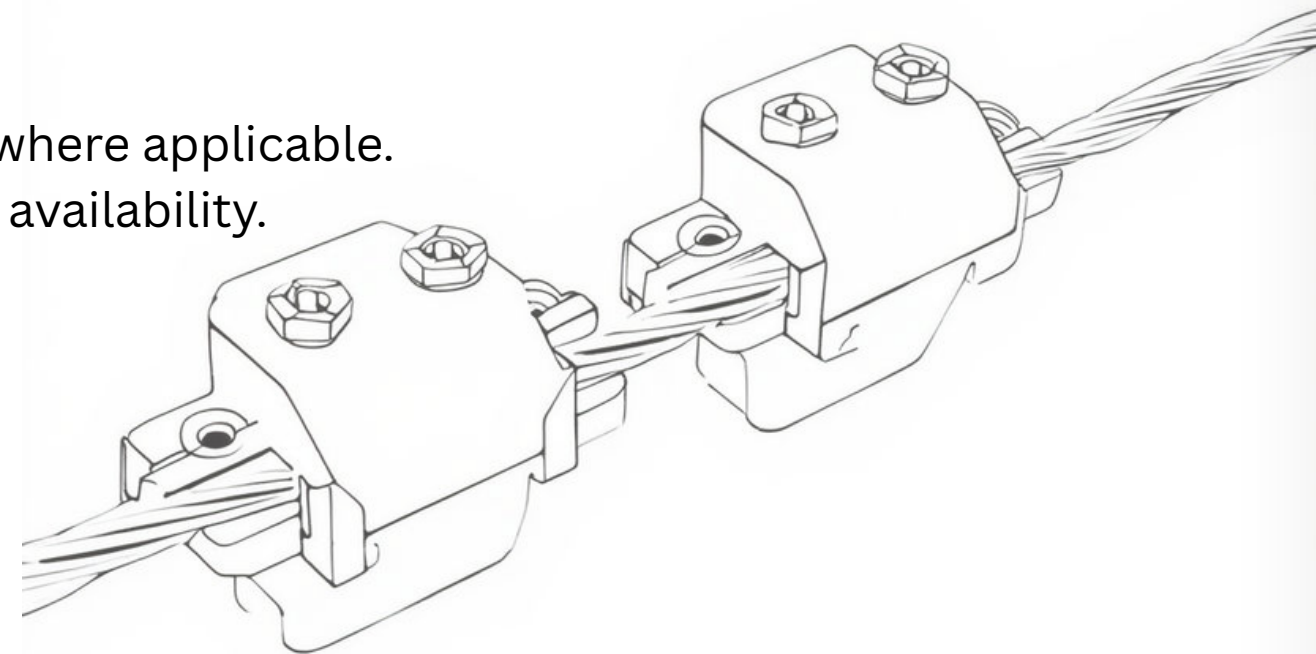
- Product code or product name
- Quantity
- Type of installation (pole, wall, structure)
- Approximate cable range / diameter (if relevant)
- Required surface finish (galvanized, stainless steel, other)

TECHNICAL NOTES:

- The dimensions and illustrations in the catalog are indicative and are provided for easier identification.
- The products are intended to be installed by qualified personnel, in accordance with applicable safety rules and standards.
- During installation, always use appropriate accessories and safety securing methods, with proper tightening of all connections.

PACKAGING AND DELIVERY:

- The products are delivered ready for installation, per unit or as a set, where applicable.
- Delivery time and method are coordinated according to quantity and availability.





- Contact:

- KOLUKS DOOEL, 2002
- Email: sales@koluks.com
- Website: koluks.com
- Phone: +38970353800
- Location: Prilep, North Macedonia

